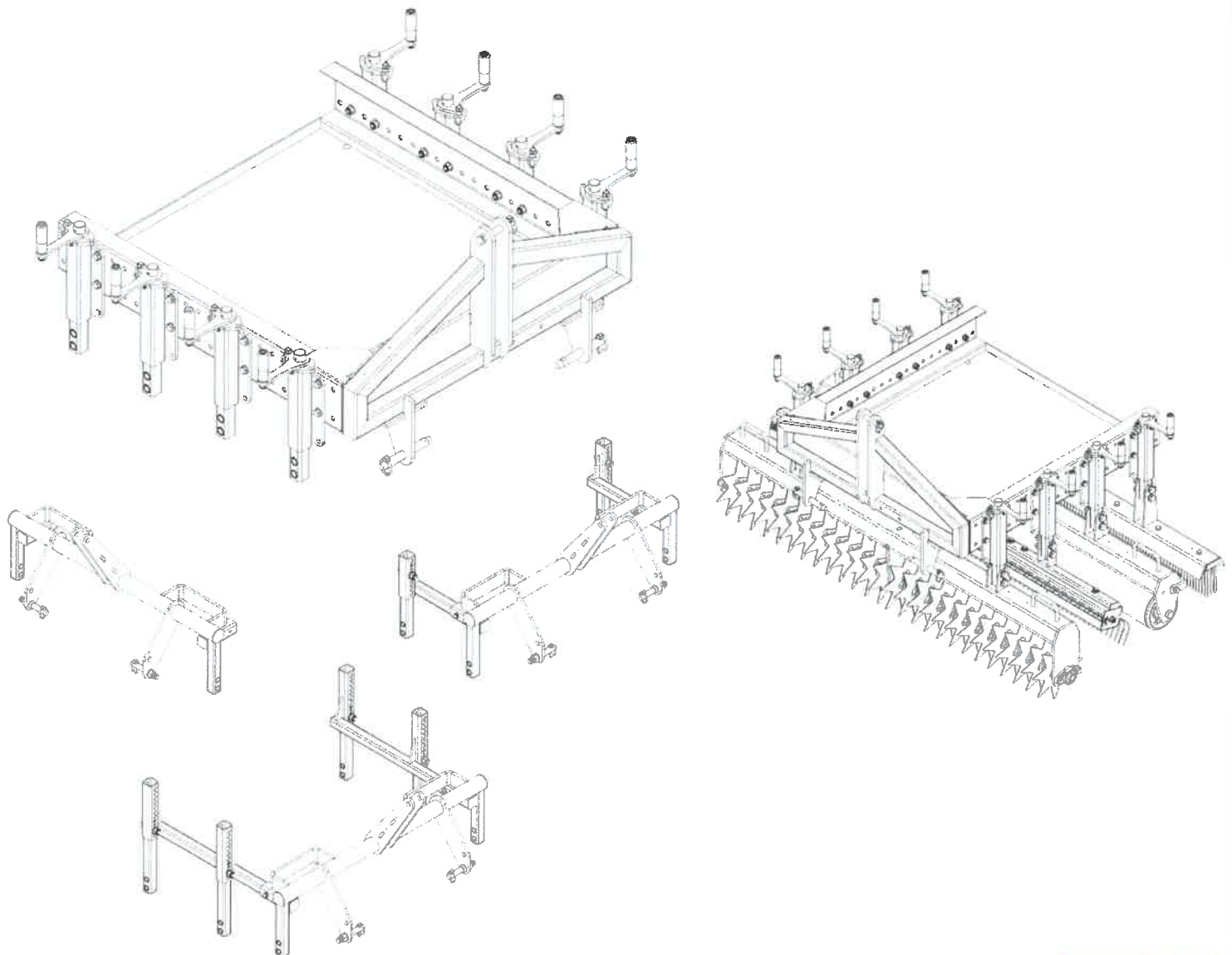


sisis®

PLAY FRAMES & COMBINATION IMPLEMENTS INSTRUCTION MANUAL



CERTIFICATE OF CONFORMITY

PLAY FRAMES & COMBINATION IMPLEMENTS CN Code: 84322990

Manufacturer:- Howardson Ltd, Howardson Works, Kirk Langley, Derby, DE6 4NJ. UK

Owner of Technical Document:- Mr I.D. Howard, Howardson Ltd, Howardson Works Kirk Langley, Derby, DE6 4NJ, UK

Managing Director



Ian Howard

SERIAL NUMBERS



NOTE:-

MAKE A NOTE OF THE SERIAL NUMBER OF YOUR MACHINE AND ALWAYS QUOTE IT IN ANY COMMUNICATION WITH PERSONNEL AT SISIS.

MACHINE SERIAL NUMBER

INTRODUCTION

The reliability and quality of performance of PLAY FRAMES & COMBINATION IMPLEMENTS depends upon some simple care maintenance carried out regularly. This manual has been prepared to allow the user to carry out all such work.

It is advisable to read the instructions carefully. Proper care and attention will enable the machines to give a continuous, satisfactory, and reliable service. Failure to carry out regular lubrication and maintenance as outlined in this manual may render any guarantee or warranty invalid.

In the case of any difficulty, or if further information or advice is required, our Service Department is always at your call. In the interests of speed and accuracy of information please quote the serial numbers of the machine and engine when making enquiries.

For the machine, this is to be found on a plate attached to the side frame. We suggest you write the numbers on the front page of this book.

	Page
Declaration of Conformity.....	2
Serial Numbers.....	2
Introduction.....	2
Technical Data.....	3
Important Safety Instructions.....	4
Machine Description.....	5
Operating instructions.....	6-7
Parts Listings.....	P0 – P17

IMPORTANT SAFETY INSTRUCTIONS



CAUTION:-

READ THE INSTRUCTIONS. We want you to obtain the best performances from this machine. If you have any difficulty in carrying out the following instructions please contact your local SISIS dealer.

NEVER

- Carry out adjustments whilst the machine is running.
- Allow any unauthorised person to handle machines in any way at any time.
- Lift or carry a machine whilst any parts are moving

ALWAYS

- Read the operating instructions carefully and understand the controls before commencing work.
- Be extra careful when using petrol or diesel fuel. Danger – no smoking or naked lights.
- Before starting work always visually check machine for damage or wear to parts.
- Look behind before starting to reverse and watch out for children or pedestrians.
- Switch off the power before making adjustments or repairs and never lift or carry a machine whilst any parts are moving.

PLAY FRAMES				
MODEL	WIDTH	LENGTH	HEIGHT	WEIGHT
SINGLEPLAY – FS0870	1126mm	313mm	581mm	24.54Kg
TWINPLAY – FS1237	1126mm	573mm	581mm	32.8Kg
TRI-PLAY – FS1236	1126mm	937mm	581mm	41.77Kg
QUADRAPLAY – FS0758	1382mm	1120mm	622mm	108kg

IMPLEMENTS					
MODEL	SIZE	WIDTH	LENGTH	HEIGHT	WEIGHT
FLEXICOMB	FS1163 (1.3m)	1416mm	140mm	449mm	24.4Kg
	FS1134 (1.8m)	1893mm	140mm	449mm	29.6Kg
	FS1277 (2.4m)	2493mm	140mm	449mm	36.1Kg
INTERMEDIATE RAKE	FS1270 (1.2m)	1252mm	190mm	329mm	20.9Kg
	FS0759 (1.8m)	1860mm	190mm	329mm	30.5Kg
	FS1268 (2.4m)	2480mm	190mm	329mm	40.4Kg
TILTH RAKE	FS1269 (1.2m)	1252mm	190mm	329mm	21.5Kg
	FS0760 (1.8m)	1860mm	190mm	329mm	31.3Kg
	FS1266 (2.4m)	2480mm	190mm	329mm	41.7Kg
SPRING TINE GROOMING RAKE	FS1148 (1.2m)	1232mm	131mm	458mm	20.3Kg
	FS0761 (1.8m)	1651mm	131mm	458mm	27Kg
	FS0771 (2.4m)	2211mm	131mm	458mm	35.6Kg
FINE GROOMING RAKE	FS1272 (1.2m)	1229mm	131mm	458mm	17.9Kg
	FS1075 (1.8m)	1839mm	131mm	458mm	26.1Kg
	FS1076 (2.4m)	2409mm	131mm	458mm	34Kg
ZIG ZAG BRUSH	FS0869 B/Y (1.8m)	1919mm	479mm	346mm	40.5Kg
	FS0516 B/Y (2.4m)	2399mm	479mm	346mm	51Kg
STRAIGHT BRUSH	FS0865 B/Y (1.2m)	1255mm	140mm	345mm	17Kg
	FS0765 B/Y (1.8m)	1853mm	140mm	345mm	25.7Kg
	FS0775 B/Y (2.4m)	2443mm	140mm	345mm	31Kg
ROLASPIKE	FS1271 (1.2m)	1356mm	344mm	483mm	39.3Kg
	FS1169 (1.8m)	1928mm	344mm	483mm	56.1Kg
	FS1267 (2.4m)	2500mm	344mm	483mm	73Kg
DEEP SLITTER	FS1162	1471mm	972mm	722mm	108.5Kg
ROLLER	FS0863 (1.2m)	1327mm	178mm	372mm	53Kg
	FS0763 (1.8m)	1939mm	178mm	372mm	74.5Kg
	FS0773 (2.4m)	2515mm	213mm	326mm	102Kg
GRADER PLATE	FS1110 (2m)	2000mm	733mm	442mm	144Kg
	FS1109 (2.4m)	2400mm	733mm	442mm	1662Kg
LEVELLING LUTE	FS0762 (1.8m)	1750mm	275mm	376mm	42Kg
	FS0772 (2.4m)	2310mm	275mm	376mm	48Kg
SPIKER SLITTER	FS0561 (1.2m)	1372mm	271mm	450mm	49Kg
	FS0764 (1.8m)	1914mm	271mm	450mm	65Kg
	FS0774 (2.4m)	2470mm	271mm	450mm	81Kg

PLEASE READ THE FOLLOWING INSTRUCTIONS CAREFULLY BEFORE USING THESE PRODUCTS

We want you to obtain the best performance from this set of machines, If you have any difficulties after reading these operating instructions, please contact us or your local SISIS Territory Manager or SISIS Dealer.

PLAYFRAMES

Connection to the tractor

All four playframes (Singleplay, Twinplay, Tri-play and Quadraplay) are designed to mount to a tractor using the three point linkage. When fitting a Playframe, ensure the implement is parallel with the ground. Also ensure the implement can be lifted high enough to clear the ground in transportation, particularly in undulating conditions.

Safety

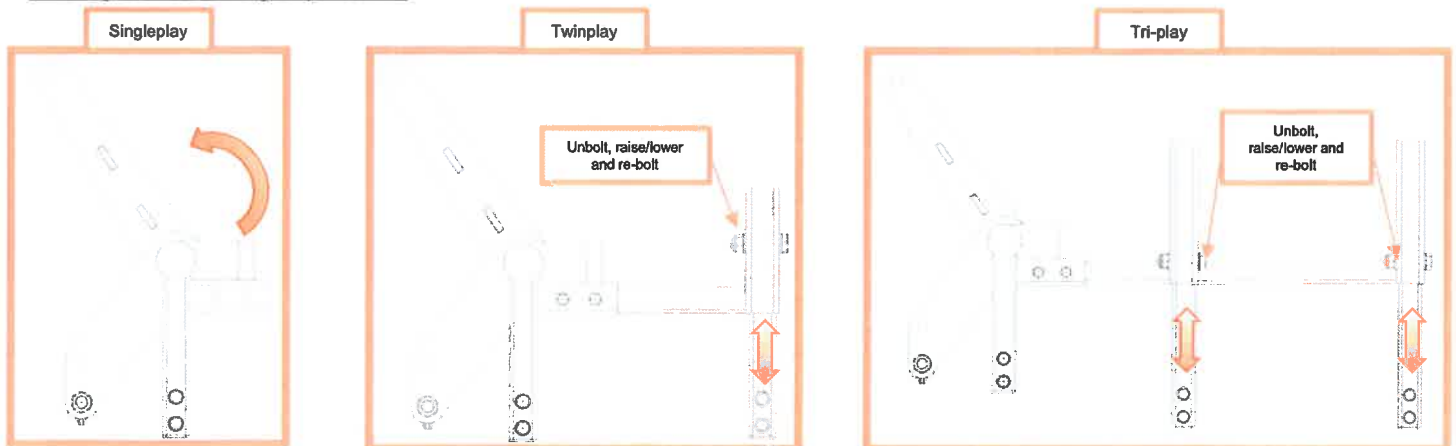
Always:

- Read the operating instructions carefully and understand the controls before commencing work.
- Before starting work visually check machines for damage or wear to working parts such as blades or tines.
- Use safety guards and make sure they are in the correct position. They are supplied for your safety.
- Watch out for children or pedestrians. Always look behind before starting to reverse.
- Switch of power before making adjustments or repairs and never lift or carry a machine whilst any parts are moving.

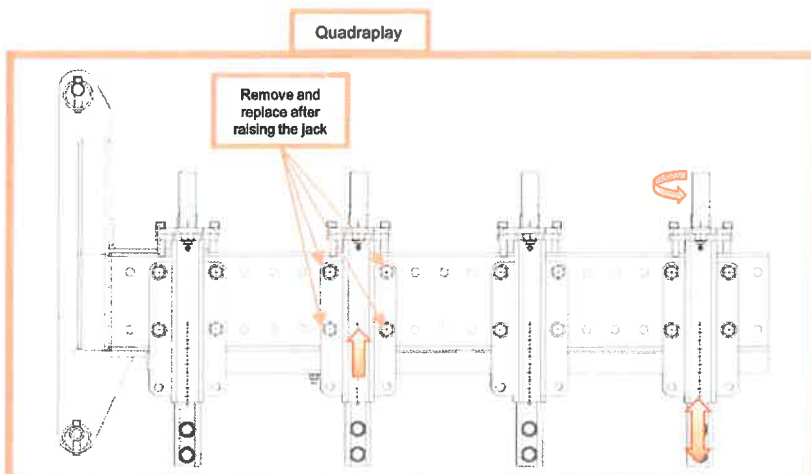
Do Not:

- Allow any unauthorised person to handle the machine in any way at anytime.
- Lower the implements too far as this could damage the product or the surface being treated.
- Raise or lower the implements whilst the tractor is in motion.
- Turn the tractor whilst the play frame is still in contact with the ground.

Raising and Lowering Implements



All the combination frames can be raised off the floor using the tractors hydraulic lift, for the Single play this is the only method for lifting the frame, for the Twin and Tri-play the 2nd and 3rd implements can be raised/lowered by unbolting the implement attachment bars and re-bolting at the desired height as shown above.



The Quadraplay can be lifted and set at the right height in 3 different ways:

- 1) Using the tractors hydraulic lift.
- 2) Raising/lowering the jacks on the side of the frame by unbolting and re-bolting. (each jack must be held in position by 4 bolts)
- 3) Winding the jack handles to make the implements lift or fall (wind all adjacent jacks at the same time)

Implement Connection to the frame.

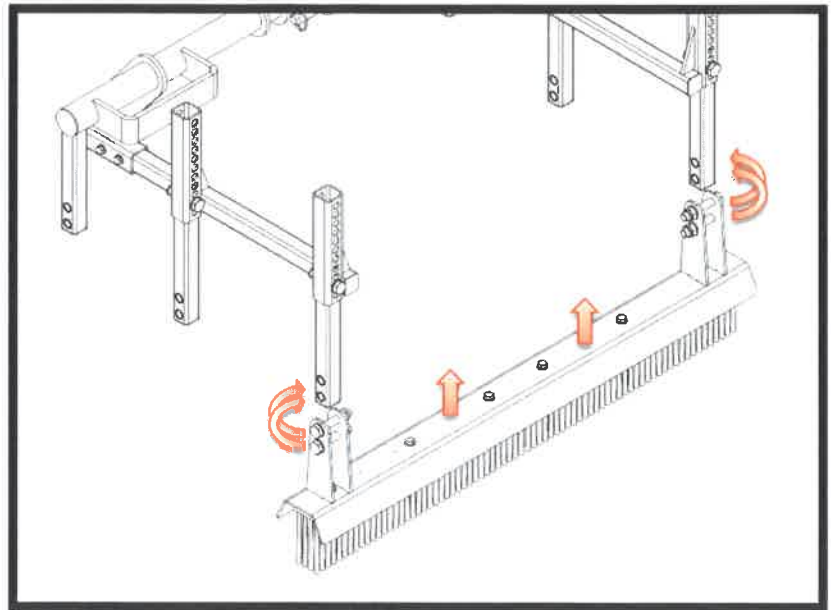
When connecting implements to any of the various play frames. Always lower the frame closer to the ground using the tractor hydraulics.

Remove the x4 M16 implement bolts using a pair of spanners.

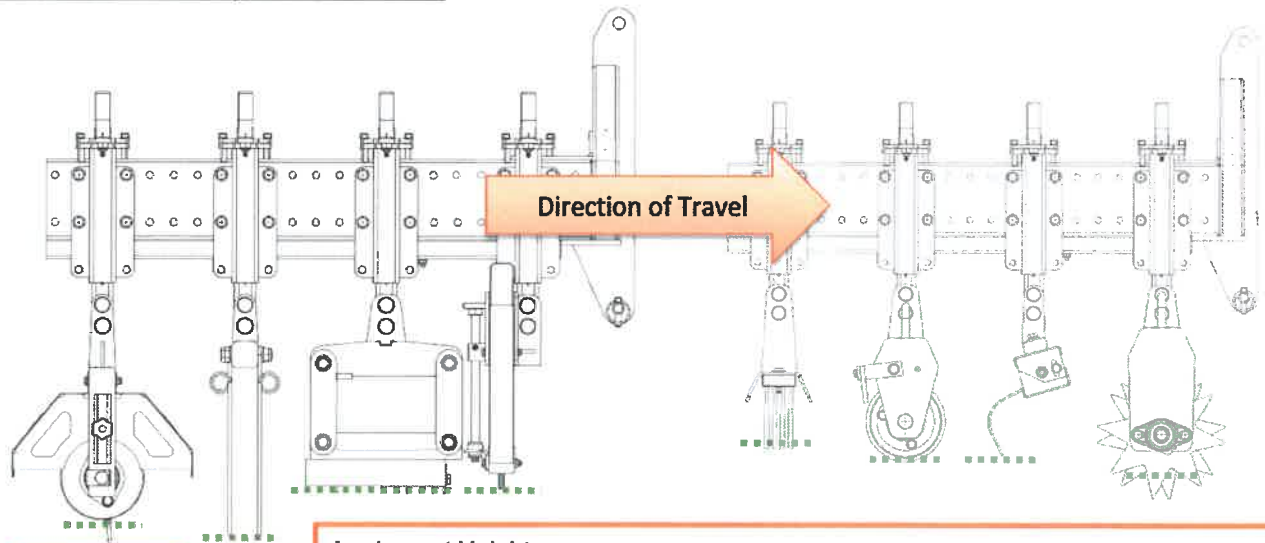
Lift the implement so that the implement and frame holes align.

Re-insert x4 M16 bolts and tighten to secure the implement.

Take extra care when removing implements.



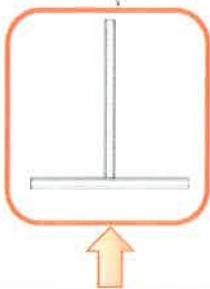
Diagrams to show correct implement orientation



Implement Height

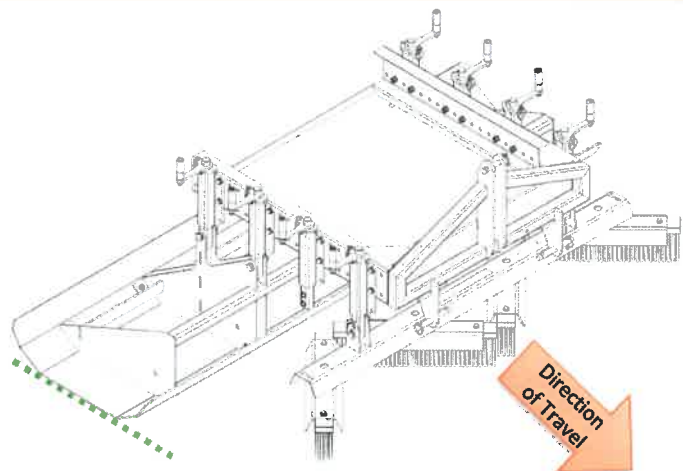
Each implement will need the height to be set individually to ensure it interacts with the ground in the correct manor. The heights can be set by turning the jack handles above each implement. The Spiker Slitter and the Rolaspikes sit lower to penetrate the ground.

..... Approximate ground level for each implement



Stand Legs

These are only for supporting the Rolaspikes when its not in use and not attached to any of the playframes. They help to protect the tines by lifting them off the ground and should be removed when in use.



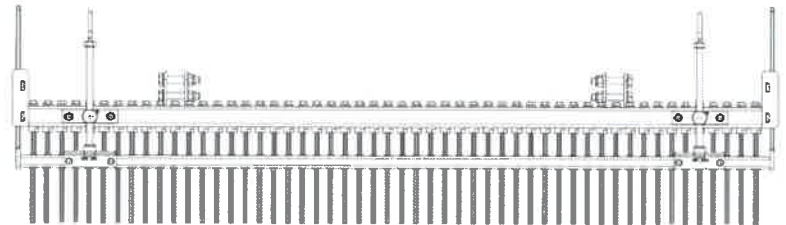
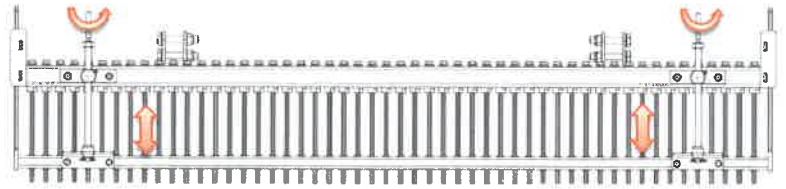
Flexicomb Brush Adjustment

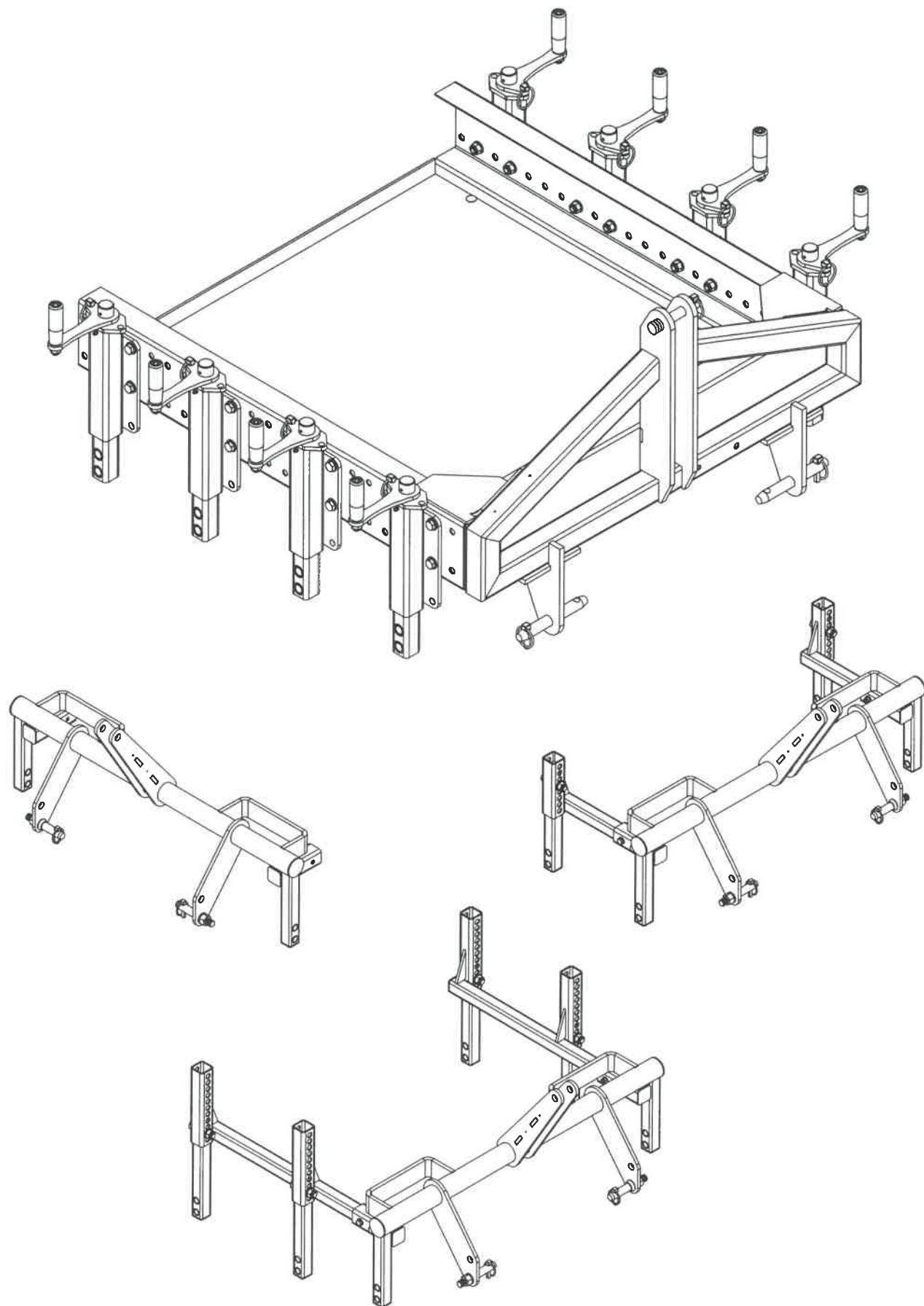
The Flexicomb can be adjusted to change the attributes of the brush to apply a different process to the surface.

The brush length can be shortened to achieve a stiffer and more aggressive action

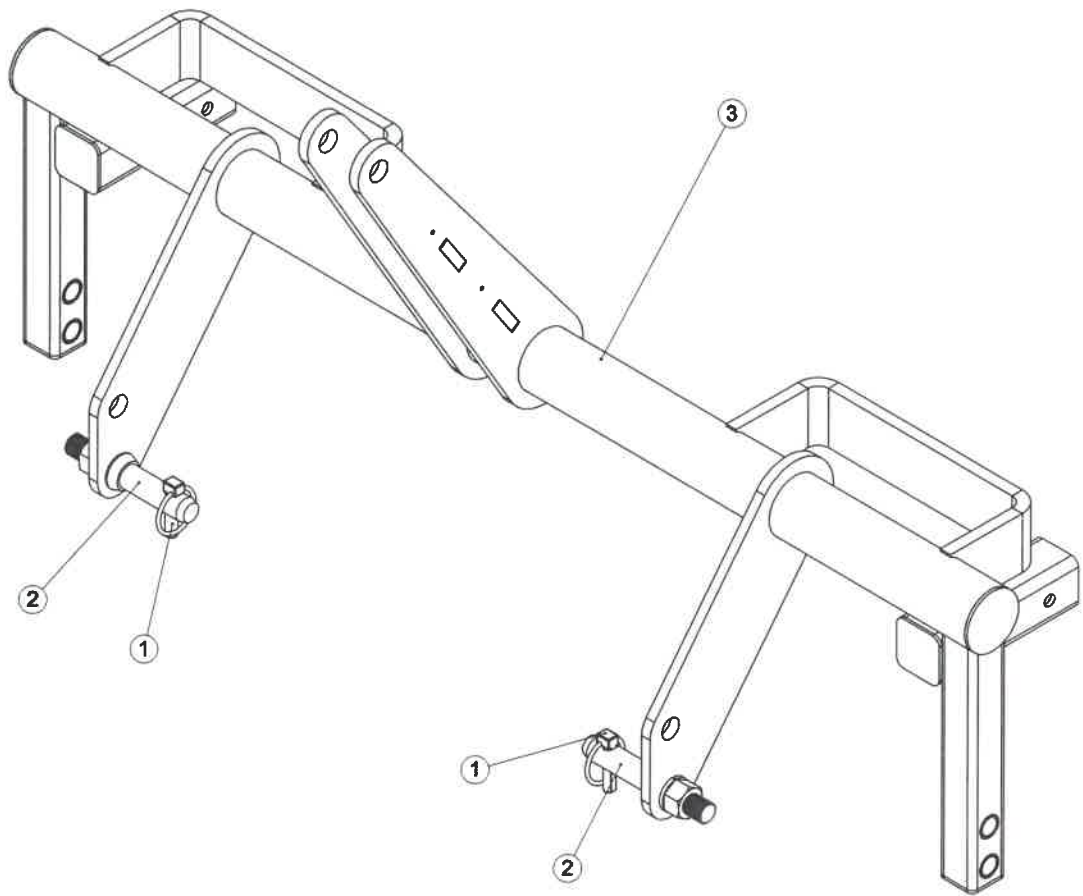
The brush can also be lengthened to achieve a more delicate action.

The length is changed by turning the adjuster handles in unison to raise and lower the guide bar, as shown on the right.



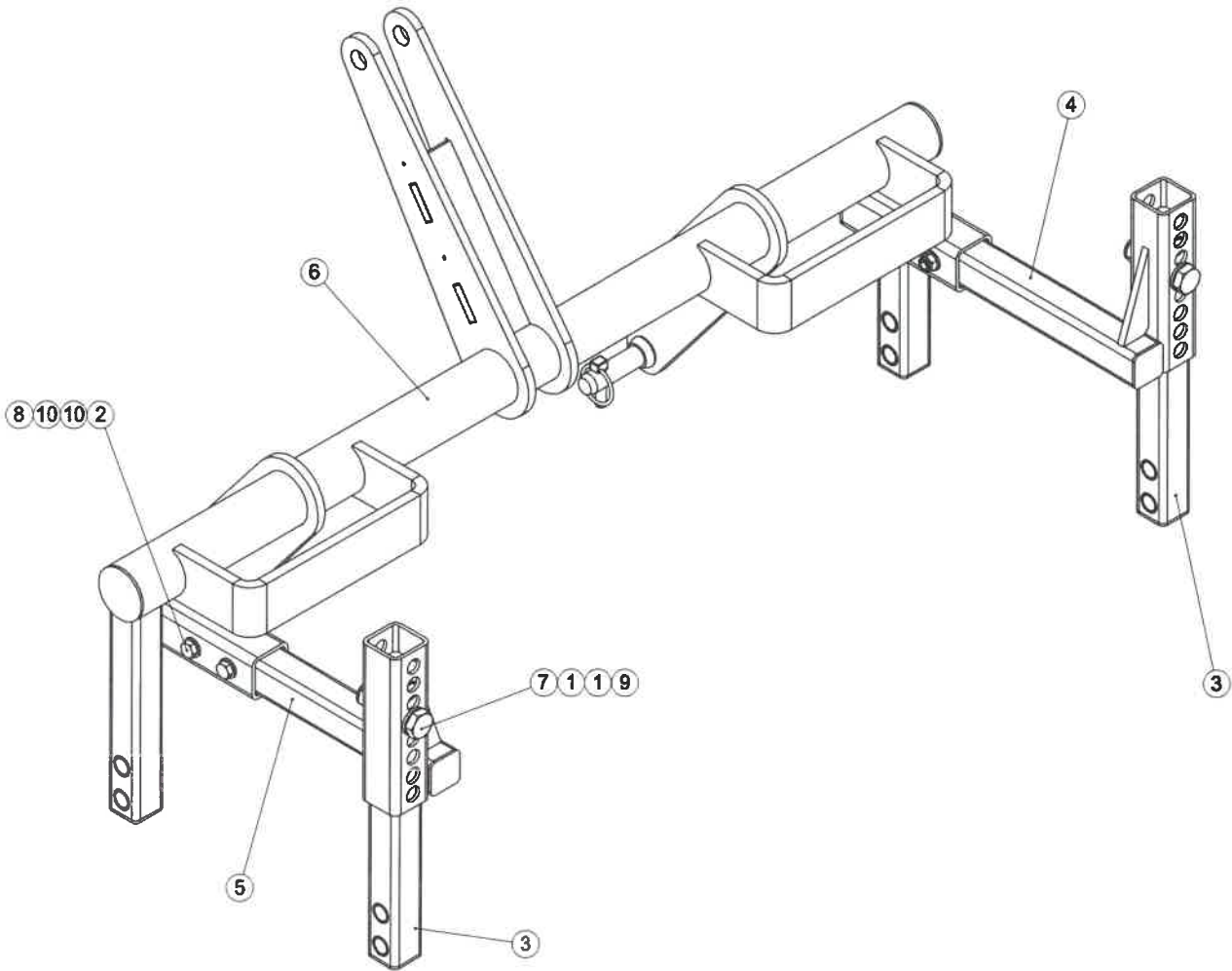


SINGLEPLAY - FS0870



ITEM NO.	PART NUMBER	DESCRIPTION	QTY.
1	D8326_REV1	PIN LINCH 7/16"	2
2	F20327_REV0	IMPLEMENT MOUNTING PIN	2
3	F32146_REV3	IMP ATT FRAME	1

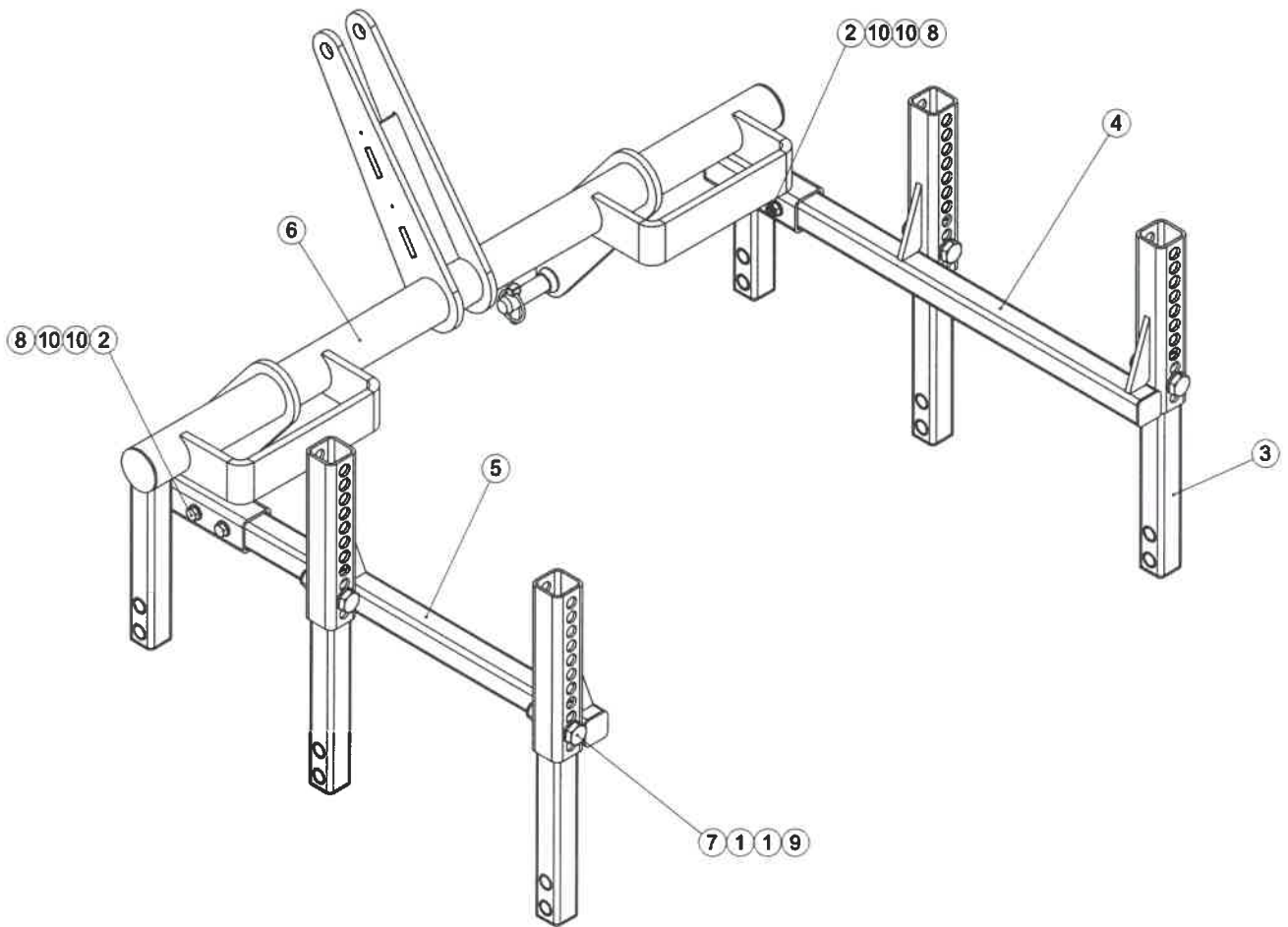
TWINPLAY - FS1237



ITEM NO.	PART NUMBER	DESCRIPTION	Default/QTY.
1	E1-1080_REV0	WASHER M16 FORM A	4
2	E1-1130_REV0	HEX BOLT M10 X 65	4
3	F32163_REV8	IMPLEMENT ATTACHMENT BAR	2
4	F37390_REV3	RH HEIGHT ARM	1
5	F37391_REV3	LH HEIGHT ARM	1
6 **	FS0870_REV0	SINGLE PLAY FRAME (FS0870)	1
7	SP01116_REV0	HEX BOLT M16 X 75	2
8	SP02008_REV0	NUT M10 NYLOC (T)	4
9	SP02028_REV0	NUT M16 NYLOC (T)	2
10	SP03011_REV0	WASHER M10 FORM A	8

** REF - P1.01 F32146

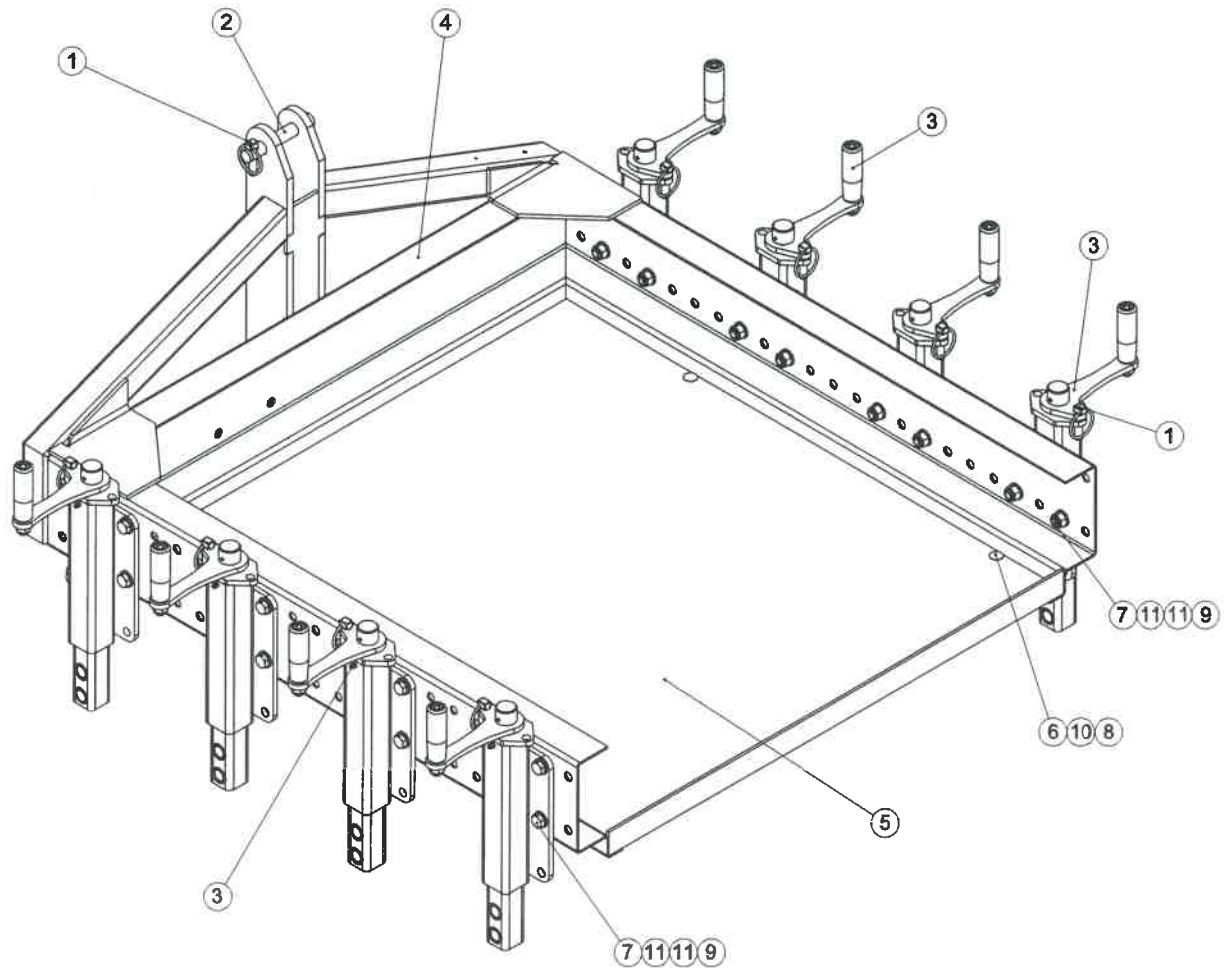
TRI-PLAY - FS1236



ITEM NO.	PART NUMBER	DESCRIPTION	QTY.
1	E1-1080_REV0	WASHER M16 FORM A	8
2	E1-1130_REV0	HEX BOLT M10 X 65	4
3	F32163_REV8	IMPLEMENT ATTACHMENT BAR	4
4	F36400_REV3	LH HEIGHT ADJ ARM	1
5	F36401_REV3	RH HEIGHT ADJUSTING ARM	1
6 **	FS0870_REV0	SINGLE PLAY FRAME (FS0870)	1
7	SP01116_REV0	HEX BOLT M16 X 75	4
8	SP02008_REV0	NUT M10 NYLOC (T)	4
9	SP02028_REV0	NUT M16 NYLOC (T)	4
10	SP03011_REV0	WASHER M10 FORM A	8

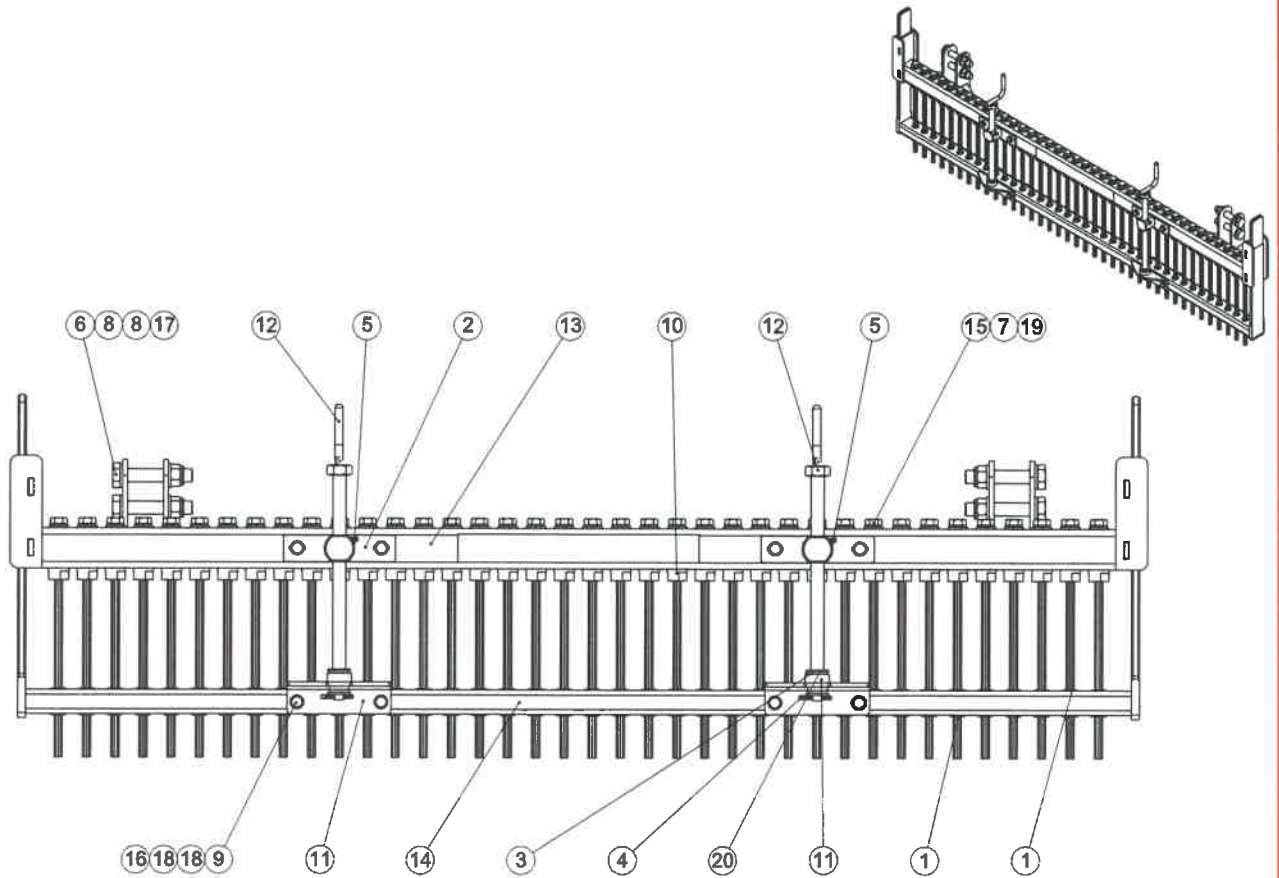
** REF - P1.01 F32146

QUADRAPLAY - FS0758



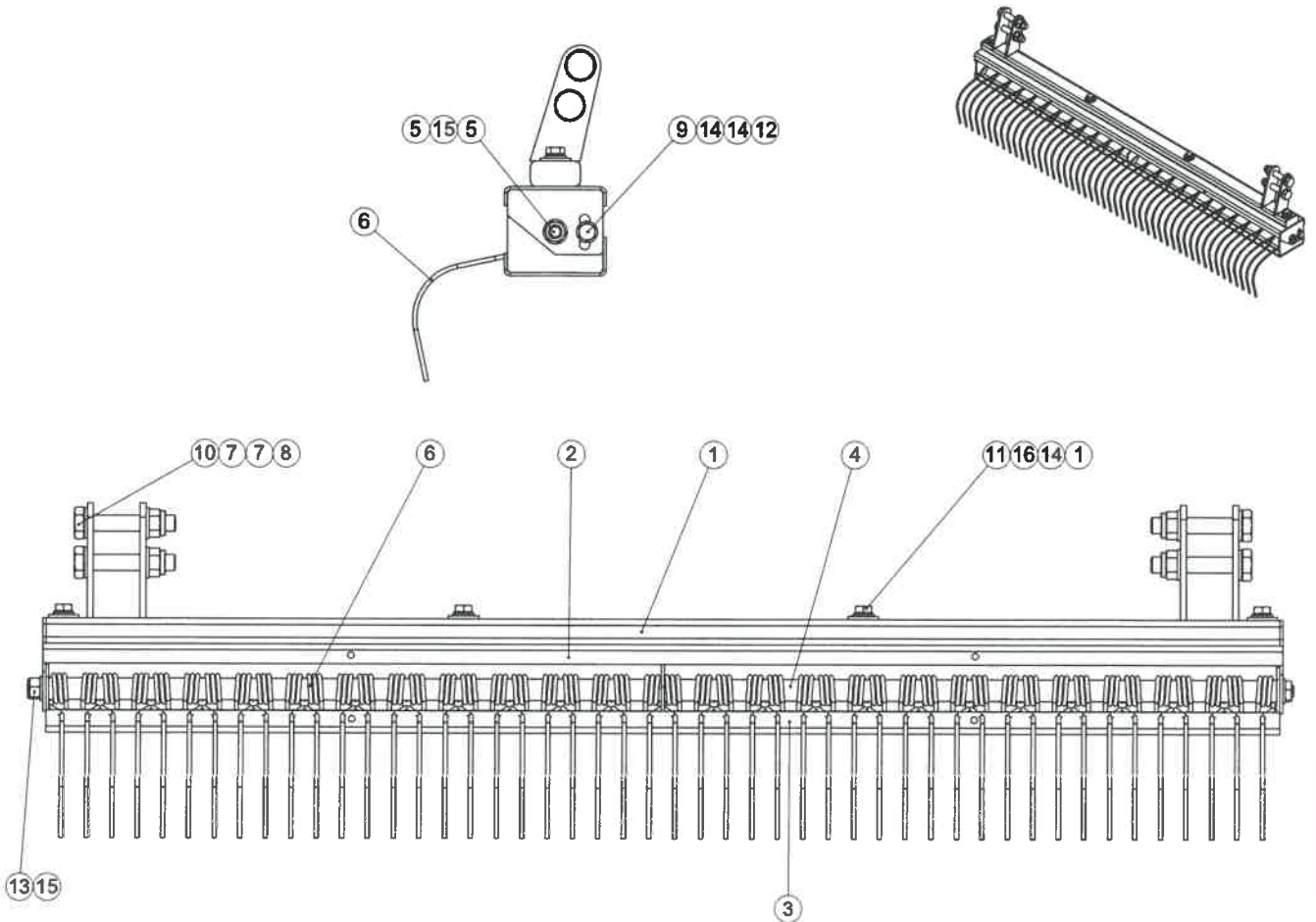
ITEM NO.	PART NUMBER	DESCRIPTION	QTY.
1	D8326_REV1	PIN LINCH 7/16"	11
2	D8617_REV1	TOP LINK PIN 3/4"	1
3	F30971_REV1	PARKING JACK	8
4	F30972_REV3	MAIN FRAME ASM	1
5	F30981_REV1	QUADRAPLAY BASE BOARD	1
6	SP01038_REV0	COACH BOLT M8 X 30 (8.8 HT)	4
7	SP01065_REV0	HEX SET SCREW M12 X 30	32
8	SP02006_REV0	NUT M8 NYLOC (T)	4
9	SP02010_REV0	NUT M12 NYLOC (T)	32
10	SP03008_REV0	WASHER M8 FORM A	4
11	SP03012_REV0	WASHER M12 FORM A	64

FLEXICOMB - FS1163 1.3m, FS1134 1.8m, FS1277 2.4m



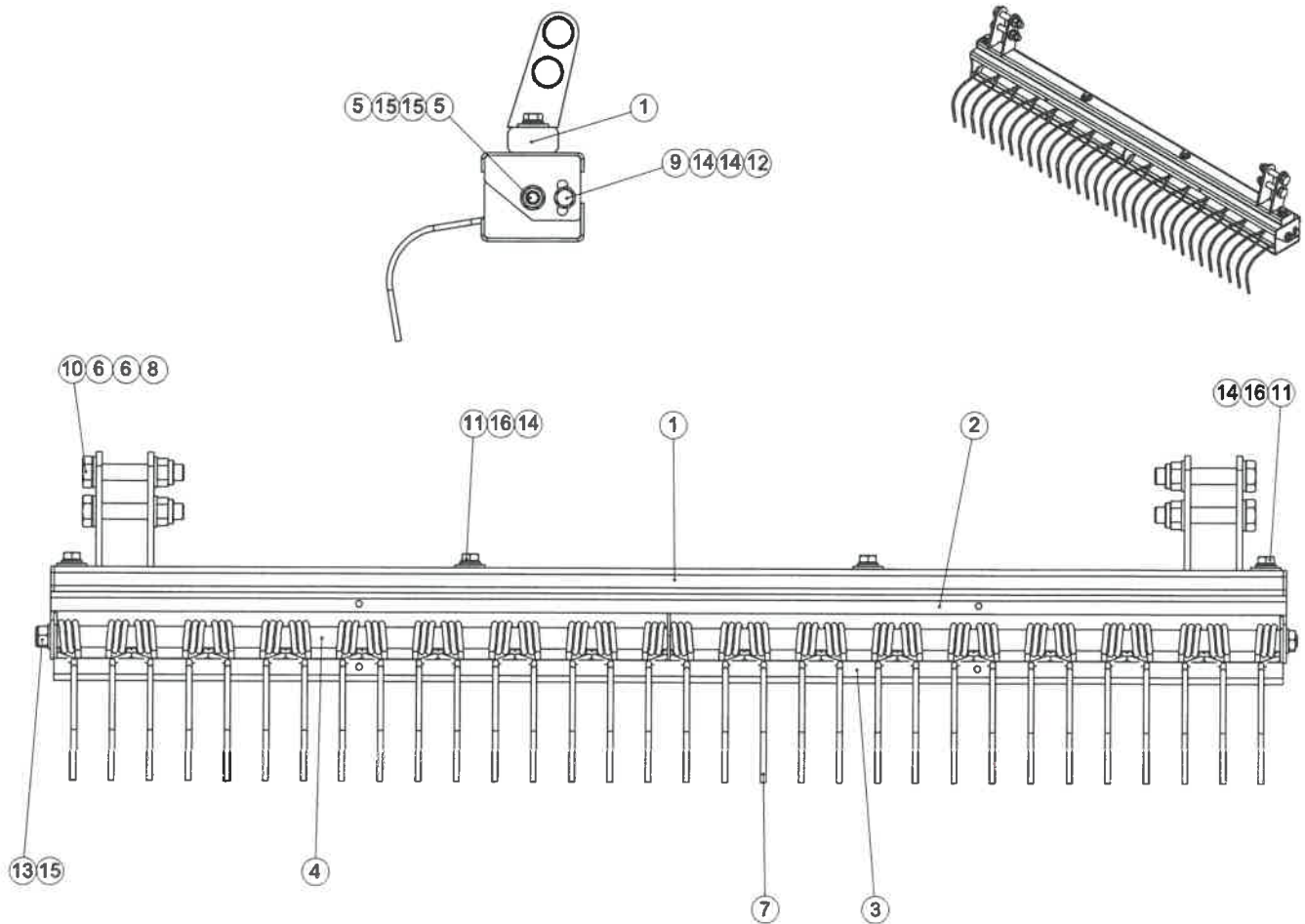
ITEM NO.	MODEL	PART NUMBER	DESCRIPTION	FS1163 (1.2)	FS1134 (1.8m)	FS1277 (2.4m)
1	ALL	400298_REV0	PLASTIC GROMMET	76	104	138
2	ALL	400510_REV1	SCREW BLOCK ASSY	2	2	2
3	ALL	BA1009_REV1	BUSH AL1218 - 12	4	4	4
4	ALL	D1917_REV0	3/16" X 1" SPLIT PIN	2	2	2
5	ALL	D1947_REV1	GREASE NIPPLE M6	2	2	2
6	ALL	SP01108_REV0	HEX BOLT M16 X 90	4	4	4
7	ALL	E1-1065_REV0	SPRING WASHER M12 SQUARE SECTION	38	52	69
8	ALL	E1-1080_REV0	WASHER M16 FORM A	8	8	8
9	ALL	E1-1116_REV0	HEX BOLT M8 X 70	8	8	8
10	ALL	F37145_REV4	BRISTLE ASSEMBLY	38	52	69
11	ALL	F37154_REV2	FLEXICOMB ADJUSTER LOWER BRACKET	2	2	2
12	ALL	F37155-A_REV0	FLEXICOMB 1.3M ADJUSTER	2	2	2
13	FS1163 (1.3m)	F37789-1_REV2	FLEXICOMB 1.3M TOP FRAME	1	-	-
13	FS1134 (1.8m)	F37614-1_REV4	FLEXICOMB 1.8M TOP FRAME	-	1	-
13	FS1277 (2.4m)	403212_REV0	FLEXICOMB 2.4M TOP FRAME	-	-	1
14	FS1163 (1.3m)	F37789-2_REV2	FLEXICOMB 1.3M BOTTOM FRAME	1	-	-
14	FS1134 (1.8m)	F37614-2_REV4	FLEXICOMB 1.8M BOTTOM FRAME	-	1	-
14	FS1277 (2.4m)	403210_REV0	FLEXICOMB 2.4M BOTTOM FRAME	-	-	1
15	ALL	SP1059_REV0	HEX SET SCREW M12 X 25	38	52	69
16	ALL	SP02006_REV0	NUT M8 NY LOC (T)	8	12	12
17	ALL	SP02028_REV0	NUT M16 NY LOC (T)	4	4	4
18	ALL	SP03008_REV0	WASHER M8 FORM A	16	16	16
19	ALL	SP03012_REV0	WASHER M12 FORM A	38	52	69
20	ALL	SP03017_REV0	WASHER M12 FORM C	4	4	4
21	ALL	F37152_REV1	DECAL	1	1	1
22	ALL	F37153_REV1	DECAL	2	2	2

INTERMEDIATE RAKE - FS1270 1.2m, FS0759 1.8m, FS1268 2.4m



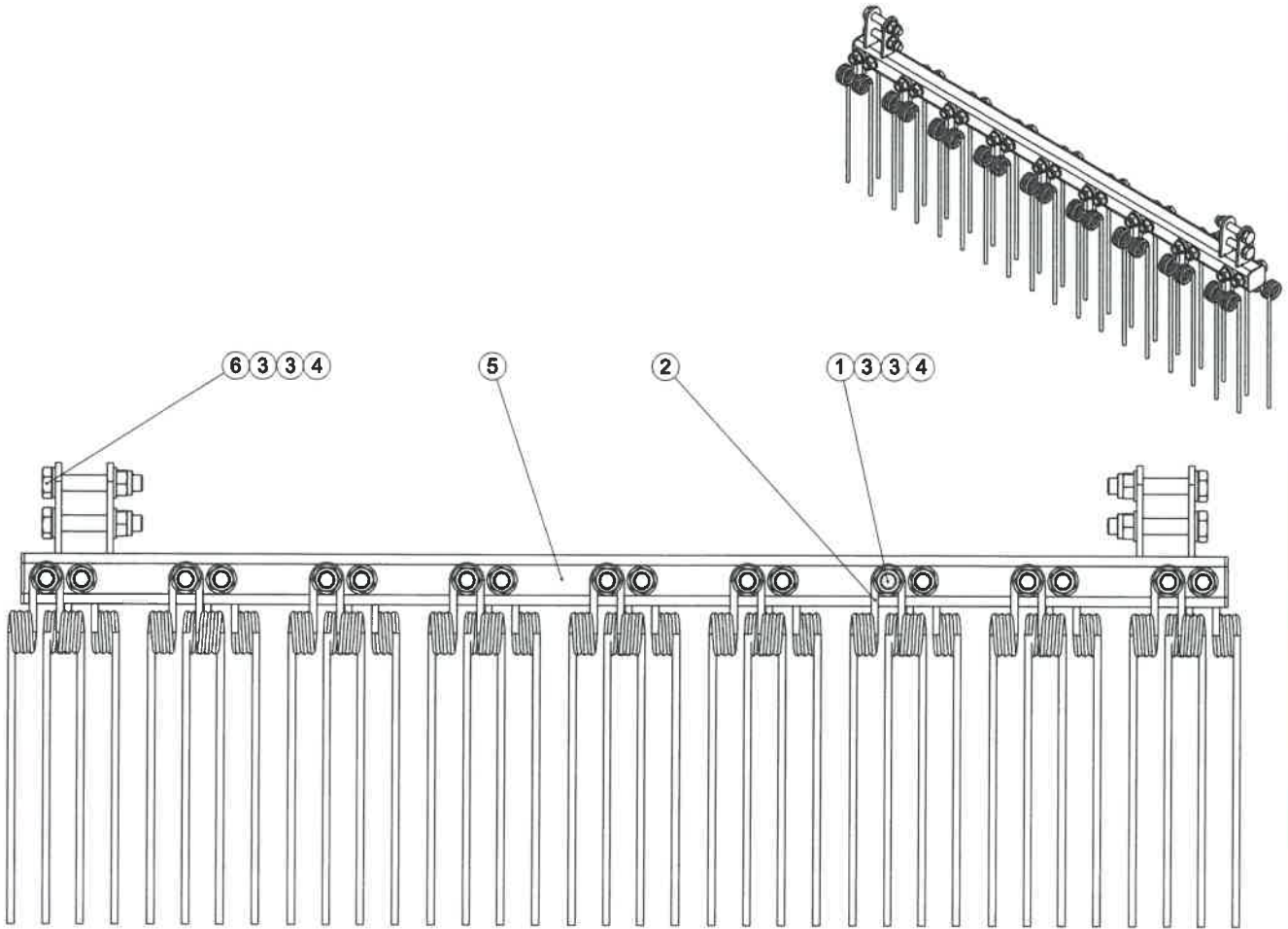
ITEM NO.	MODEL	PART NUMBER	DESCRIPTION	FS1270 (1.2)	FS0759 (1.8m)	FS1268 (2.4m)
1	FS1270 (1.2)	403060_REV0	RAKE SUPPORT 1200	1	-	-
1	FS0759 (1.8m)	F30973_REV1	RAKE SUPPORT 6'	-	1	-
1	FS1268 (2.4m)	403073_REV0	RAKE SUPPORT (2400)	-	-	1
2	FS1270 (1.2)	403062_REV0	RAKE TOP FRAME (1200)	1	-	-
2	FS0759 (1.8m)	E1-6548_REV2	RAKE TOP FRAME 6'	-	1	-
2	FS1268 (2.4m)	403062_REV0	RAKE TOP FRAME (1200)	-	-	2
3	FS1270 (1.2)	403064_REV0	BOTTOM FRAME ASSY (1200)	1	-	-
3	FS0759 (1.8m)	D6551_REV1	BOTTOM FRAME ASSY 6'	-	1	-
3	FS1268 (2.4m)	403064_REV0	BOTTOM FRAME ASSY (1200)	-	-	2
4	FS1270 (1.2)	403067_REV0	TINE TUBE (1200)	1	-	-
4	FS0759 (1.8m)	D6550_REV1	TINE TUBE (1800)	-	1	-
4	FS1268 (2.4m)	403067_REV0	TINE TUBE (1200)	-	-	2
5	FS1270 (1.2)	403069_REV0	TUBE STAY ROD ASSY (1200)	1	-	-
5	FS0759 (1.8m)	D6549_REV1	TUBE STAY ROD ASSY 6'	-	1	-
5	FS1268 (2.4m)	403071_REV0	TUBE STAY ROD ASSY (2400)	-	-	1
6	ALL	SP01108_REV0	HEX BOLT M16 X 90	4	4	4
7	ALL	D3544_REV1	COILED TINE	24	38	48
8	ALL	E1-1080_REV0	WASHER M16 FORM A	8	8	8
9	ALL	E1-1231_REV0	M16 NYLOC	4	4	4
10	ALL	SP01034_REV0	HEX SET SCREW M10 X 20	2	2	2
-	FS1268 (2.4m)	SP01105_REV0	HEX SET SCREW M10 X 30	-	-	1
11	ALL	SP01124_REV0	HEX SET SCREW M10 X 45	4	6	8
12	ALL	SP02008_REV0	NUT M10 NYLOC (T)	2	2	2
13	ALL	SP02010_REV0	NUT M12 NYLOC (T)	1	1	1
14	ALL	SP03011_REV0	WASHER M10 FORM A	8	10	14
15	ALL	SP03012_REV0	WASHER M12 FORM A	2	2	2
16	ALL	SP03034_REV0	WASHER M10 SPRING LOCK	4	6	8

TILTH RAKE - FS1269 1.2m, FS0760 1.8m, FS1266 2.4m



ITEM NO.	MODEL	PART NUMBER	DESCRIPTION	FS1269 (1.2)	FS0760 (1.8m)	FS1266 (2.4m)
1	FS1269 (1.2)	403060_REV0	RAKE SUPPORT 1200	1	-	-
1	FS0760 (1.8m)	F30973_REV1	RAKE SUPPORT 6'	-	1	-
1	FS1266 (2.4m)	403073_REV0	RAKE SUPPORT (2400)	-	-	1
2	FS1269 (1.2)	403062_REV0	RAKE TOP FRAME (1200)	1	-	-
2	FS0760 (1.8m)	E1-6548_REV2	RAKE TOP FRAME 6'	-	1	-
2	FS1266 (2.4m)	403062_REV0	RAKE TOP FRAME (1200)	-	-	2
3	FS1269 (1.2)	403064_REV0	BOTTOM FRAME ASSY (1200)	1	-	-
3	FS0760 (1.8m)	D6551_REV1	BOTTOM FRAME ASSY 6'	-	1	-
3	FS1266 (2.4m)	403064_REV0	BOTTOM FRAME ASSY (1200)	-	-	2
4	FS1269 (1.2)	403067_REV0	TINE TUBE (1200)	1	-	-
4	FS0760 (1.8m)	D6550_REV1	TINE TUBE (1800)	-	1	-
4	FS1266 (2.4m)	403067_REV1	TINE TUBE (1200)	-	-	2
5	FS1269 (1.2)	403069_REV0	TUBE STAY ROD ASSY (1200)	1	-	-
5	FS0760 (1.8m)	D6549_REV1	TUBE STAY ROD ASSY 6'	-	1	-
5	FS1266 (2.4m)	403071_REV0	TUBE STAY ROD ASSY (2400)	-	-	1
6	ALL	SP01108_REV0	HEX BOLT M16 X 90	4	4	4
7	ALL	D2149_REV1	TILTH RAKE COILED TINE	16	24	32
8	ALL	E1-1080_REV0	WASHER M16 FORMA	8	8	8
9	ALL	E1-1231_REV0	M16 NYLOC	4	4	4
10	ALL	SP01034_REV0	HEX SET SCREW M10 X 20	2	2	2
11	FS1266 (2.4)	SP01105_REV0	HEX SET SCREW M10 X 30	-	-	1
12	ALL	SP01124_REV0	HEX SET SCREW M10 X 45	4	6	8
13	ALL	SP02008_REV0	NUT M10 NYLOC (T)	2	2	2
14	ALL	SP02010_REV0	NUT M12 NYLOC (T)	1	1	1
15	ALL	SP03011_REV0	WASHER M10 FORMA	8	10	14
16	ALL	SP03012_REV0	WASHER M12 FORMA	2	2	2
17	ALL	SP03034_REV0	WASHER M10 SPRING LOCK	4	6	8

SPRING TINE GROOMING RAKE - FS1148 1.2m, FS0761 1.8m, FS0771 2.4m

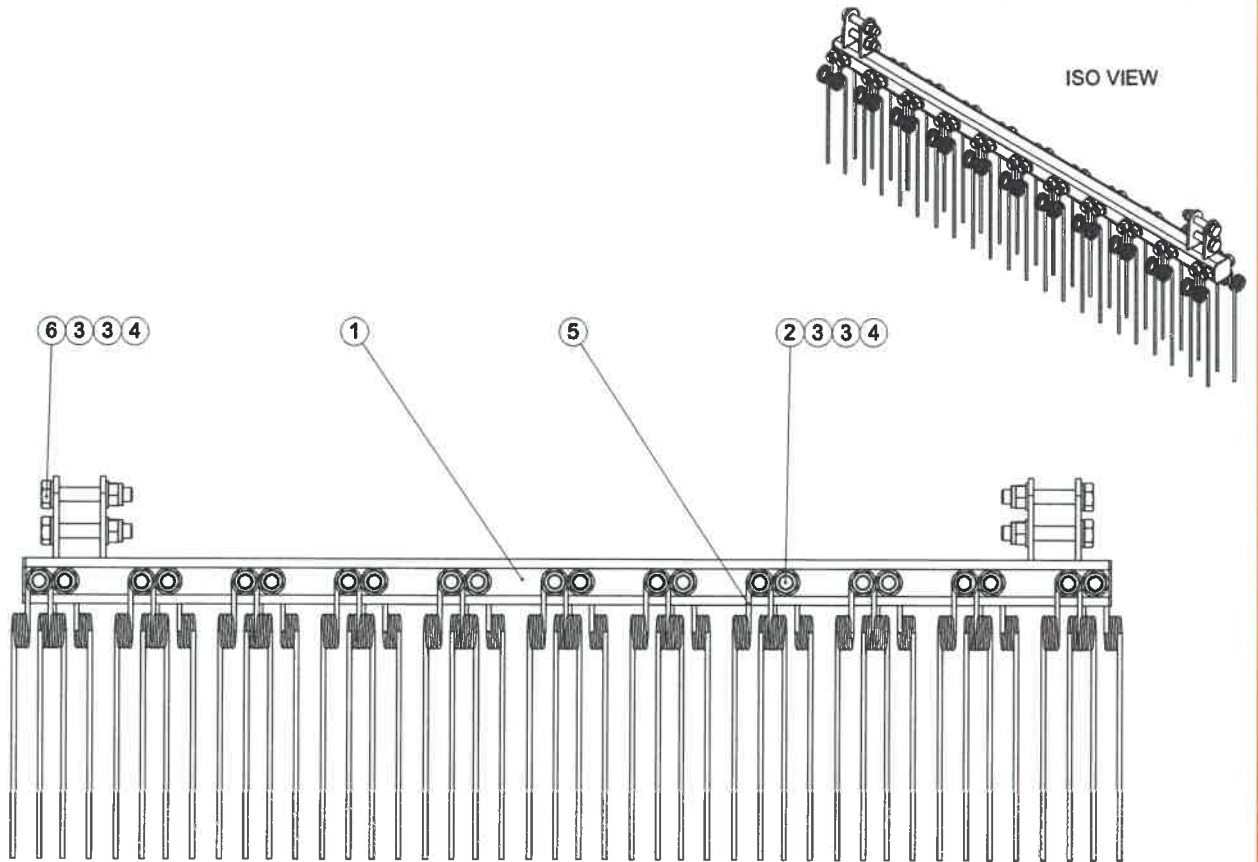


FS1148 - 1.2m			
ITEM NO.	PART NUMBER	DESCRIPTION	QTY.
1	D1956_REV0	HEX BOLT M16 X 80	18
2	D7853_REV1	B.B.S. TINE (HEAVY)	18
3	E1-1080_REV0	WASHER M16 FORM A	44
4	E1-1231_REV0	M16 NYLOC	22
5	F31553_REV1	RAKE BAR W.A. 35CRS (4')	1
6	SP01108_REV0	HEX BOLT M16 X 90	4

FS0761 - 1.8m			
ITEM NO.	PART NUMBER	DESCRIPTION	QTY.
1	D1956_REV0	HEX BOLT M16 X 80	24
2	D7853_REV1	B.B.S. TINE (HEAVY)	24
3	E1-1080_REV0	WASHER M16 FORM A	56
4	E1-1231_REV0	M16 NYLOC	28
5	F30976_REV1	RAKE BAR W.A. 35CRS (6')	1
6	SP01108_REV0	HEX BOLT M16 X 90	4

FS0771 - 2.4m			
ITEM NO.	PART NUMBER	DESCRIPTION	QTY.
1	D1956_REV0	HEX BOLT M16 X 80	32
2	D7853_REV1	B.B.S. TINE (HEAVY)	32
3	E1-1080_REV0	WASHER M16 FORM A	72
4	E1-1231_REV0	M16 NYLOC	36
5	F30985_REV1	RAKE BAR W.A. (8' STD)	1
6	SP01108_REV0	HEX BOLT M16 X 90	4

FINE GROOMING RAKE - FS1272 1.2m, FS1075 1.8m, FS1076 2.4m



FS1272 - 1.2m

ITEM NO.	PART NUMBER	DESCRIPTION	QTY.
1	403074_REV0	RAKE BAR W.A. 29CRS 1200	1
2	D1956_REV0	HEX BOLT M16 X 80	22
3	E1-1080_REV0	WASHER M16 FORM A	52
4	E1-1231_REV0	M16 NYLOC	26
5	F36926_REV1	B.B.S. TINE (FINE)	22
6	SP01108_REV0	HEX BOLT M16 X 90	4

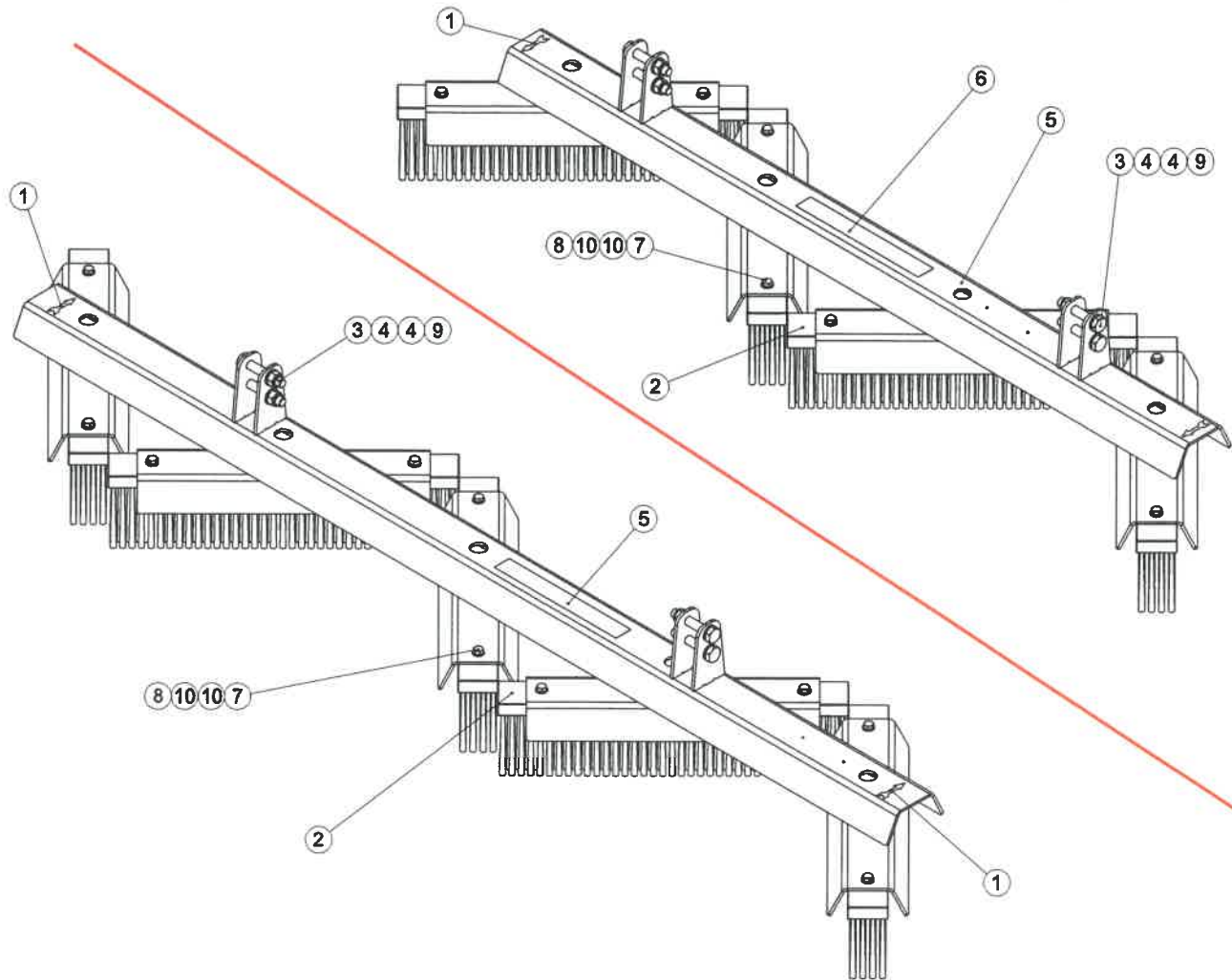
FS1075 - 1.8m

ITEM NO.	PART NUMBER	DESCRIPTION	QTY.
2	D1956_REV0	HEX BOLT M16 X 80	32
3	E1-1080_REV0	WASHER M16 FORM A	72
4	E1-1231_REV0	M16 NYLOC	36
5	F36926_REV1	B.B.S. TINE (FINE)	32
1	F36946_REV2	RAKE BAR W.A. 29CRS (6')	1
6	SP01108_REV0	HEX BOLT M16 X 90	4

FS1076 - 2.4

ITEM NO.	PART NUMBER	DESCRIPTION	QTY.
2	D1956_REV0	HEX BOLT M16 X 80	42
3	E1-1080_REV0	WASHER M16 FORM A	92
4	E1-1231_REV0	M16 NYLOC	46
5	F36926_REV1	B.B.S. TINE (FINE)	42
1	F37028_REV2	RAKE BAR W.A. (8' FINE)	1
6	SP01108_REV0	HEX BOLT M16 X 90	4

ZIG ZAG BRUSH - FS0869 B/Y 1.8m, FS0516 B/Y 2.4m



FS0765B - 1.8m

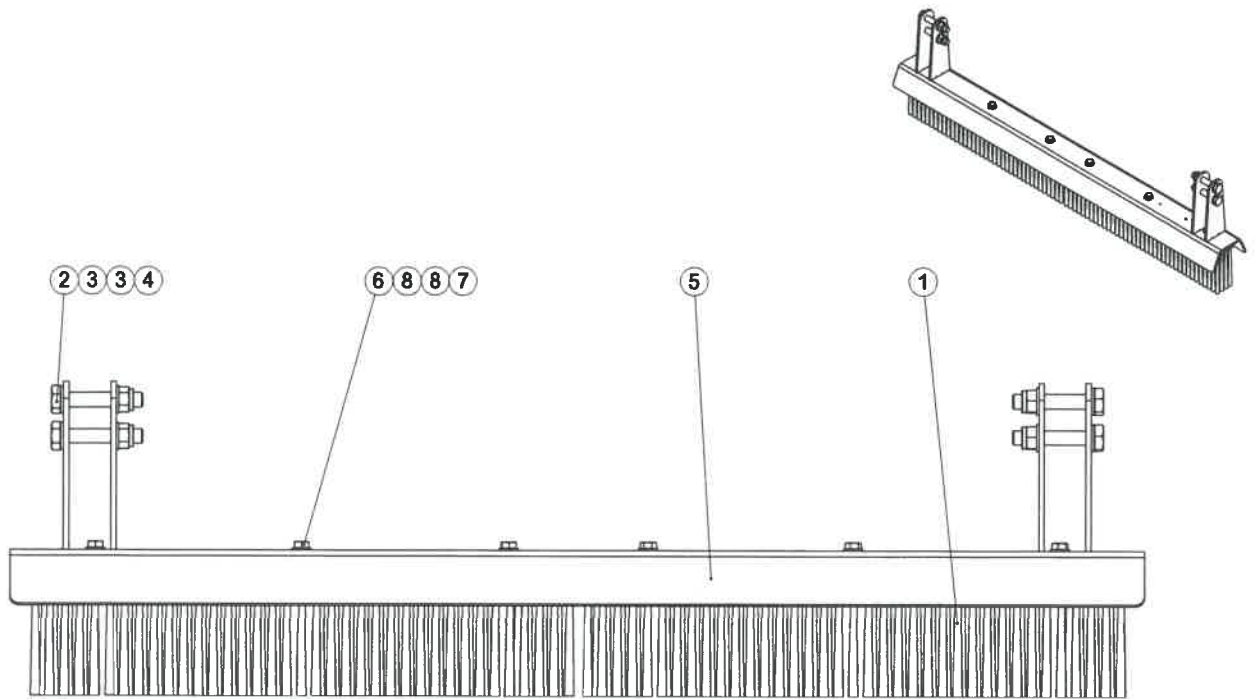
ITEM NO.	PART NUMBER	DESCRIPTION	Default/QTY.
1	D1481_REV1	DECAL	2
2	D1520_REV4	BRUSH 60cm BLACK	4
3	SP01108_REV0	HEX BOLT M16 X 90	4
4	E1-1080_REV0	WASHER M16 FORM A	8
5	F32208_REV2	Z BRUSH FRAME 1.8 ASSY	1
6	F32347_REV1	DECAL	1
7	SP01124_REV0	HEX SET SCREW M10 X 45	12
8	SP02008_REV0	NUT M10 NYLOC (T)	12
9	SP02028_REV0	NUT M16 NYLOC (T)	4
10	SP03011_REV0	WASHER M10 FORM A	24

FS0516B - 2.4m

ITEM NO.	PART NUMBER	DESCRIPTION	Default/QTY.
1	D1481_REV1	DECAL	2
2	D1520_REV4	BRUSH 60cm BLACK	5
3	SP01108_REV0	HEX BOLT M16 X 90	4
4	E1-1080_REV0	WASHER M16 FORM A	8
5	F32347_REV1	DECAL	1
6	F32608_REV2	BRUSH FRAME 2.4 ASSY	1
7	SP01124_REV0	HEX SET SCREW M10 X 45	15
8	SP02008_REV0	NUT M10 NYLOC (T)	15
9	SP02028_REV0	NUT M16 NYLOC (T)	4
10	SP03011_REV0	WASHER M10 FORM A	30

Also available with yellow brushes - Part Number: SP24006 (Models: FS0765Y (1.8m), FS0516Y (2.4m))

STRAIGHT BRUSH - FS0865 Y/B 1.2m, FS0765 Y/B 1.8m, FS0775 Y/B 2.4m



FS0865 - 1.2m

ITEM NO.	PART NUMBER	DESCRIPTION	QTY.
1	D1520_REV4	BRUSH 60cm BLACK	2
2	SP01108_REV0	HEX BOLT M16 X 90	4
3	E1-1080_REV0	WASHER M16 FORM A	8
4	E1-1231_REV0	M16 NYLOC	4
5	F31554_REV2	BRUSH FRAME ASSY 4'	1
6	SP01124_REV0	HEX SET SCREW M10 X 45	6
7	SP02008_REV0	NUT M10 NYLOC (T)	6
8	SP03011_REV0	WASHER M10 FORM A	12

FS0765 - 1.8m

ITEM NO.	PART NUMBER	DESCRIPTION	BLACK/QTY.
1	D1520_REV4	BRUSH 60cm BLACK	3
2	SP01108_REV0	HEX BOLT M16 X 90	4
3	E1-1080_REV0	WASHER M16 FORM A	8
4	E1-1231_REV0	M16 NYLOC	4
5	F30978_REV2	BRUSH FRAME ASSY 6'	1
6	SP01124_REV0	HEX SET SCREW M10 X 45	9
7	SP02008_REV0	NUT M10 NYLOC (T)	9
8	SP03011_REV0	WASHER M10 FORM A	18

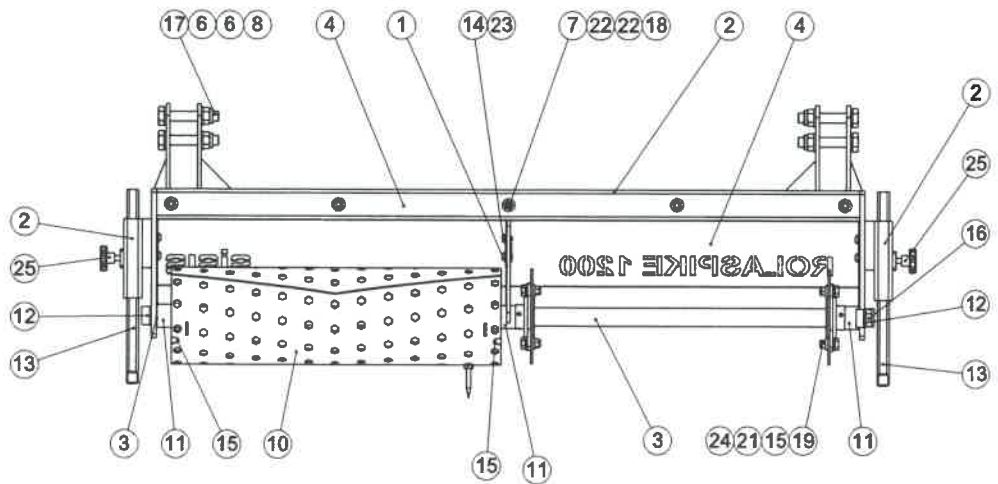
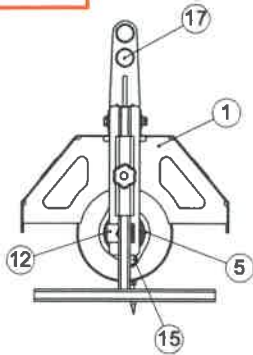
FS0775 - 2.4m

ITEM NO.	PART NUMBER	DESCRIPTION	QTY.
1	D1520_REV4	BRUSH 60cm BLACK	4
2	SP01108_REV0	HEX BOLT M16 X 90	4
3	E1-1080_REV0	WASHER M16 FORM A	8
4	E1-1231_REV0	M16 NYLOC	4
5	F30984_REV2	BRUSH FRAME ASSY 8'	1
6	SP01124_REV0	HEX SET SCREW M10 X 45	12
7	SP02008_REV0	NUT M10 NYLOC (T)	12
8	SP03011_REV0	WASHER M10 FORM A	24

Also available with yellow brushes - Part Number: SP24006 (Models: FS0865Y (1.2m), FS0765Y(1.8m), FS0775Y (2.4m))

P11.01

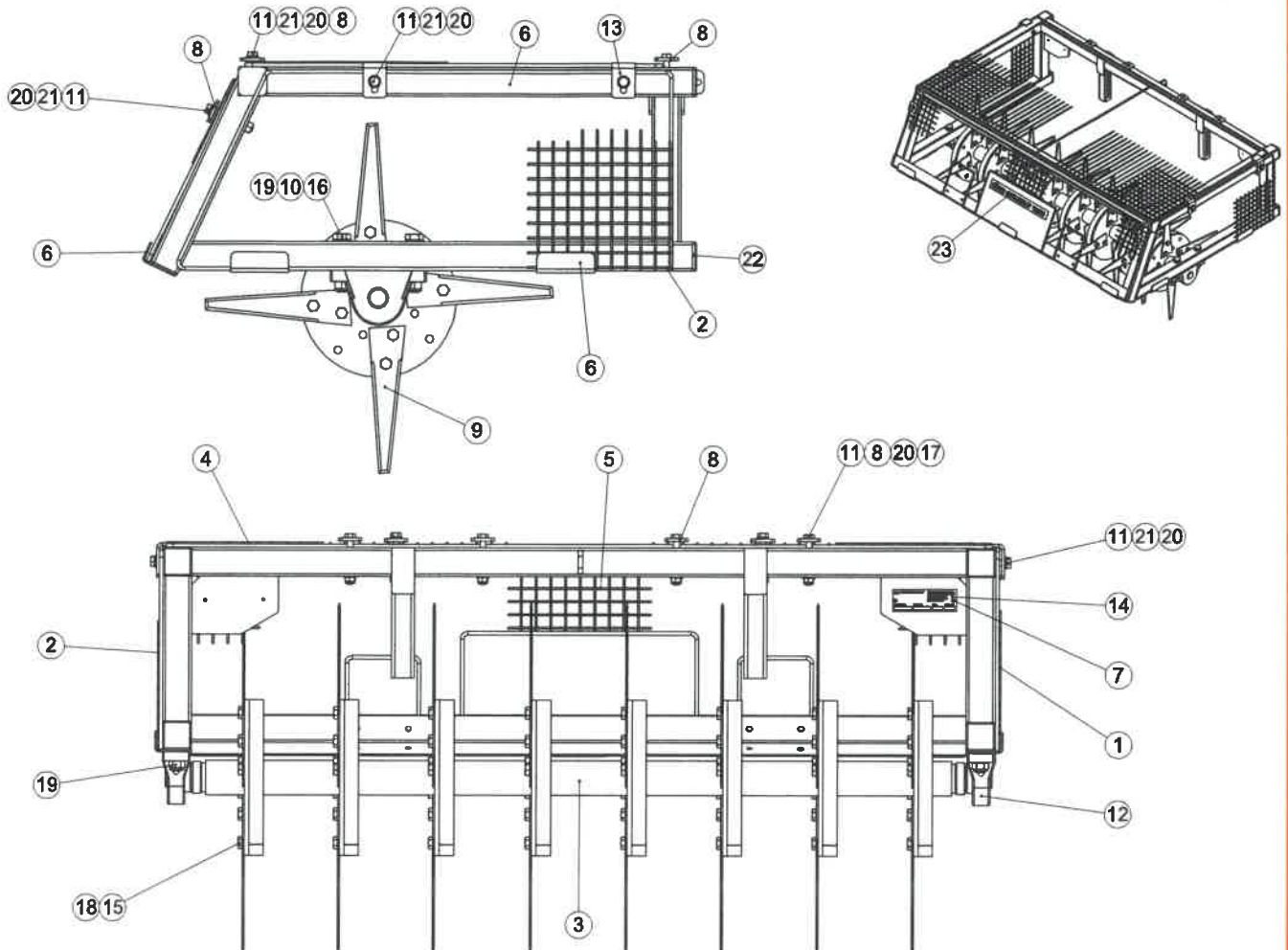
ROLASPIKE - FS1271 1.2m, FS1169 1.8m, FS1267 2.4m



FRONT GUARD PANEL AND RIGHT ROLLER REMOVED FOR CLARITY

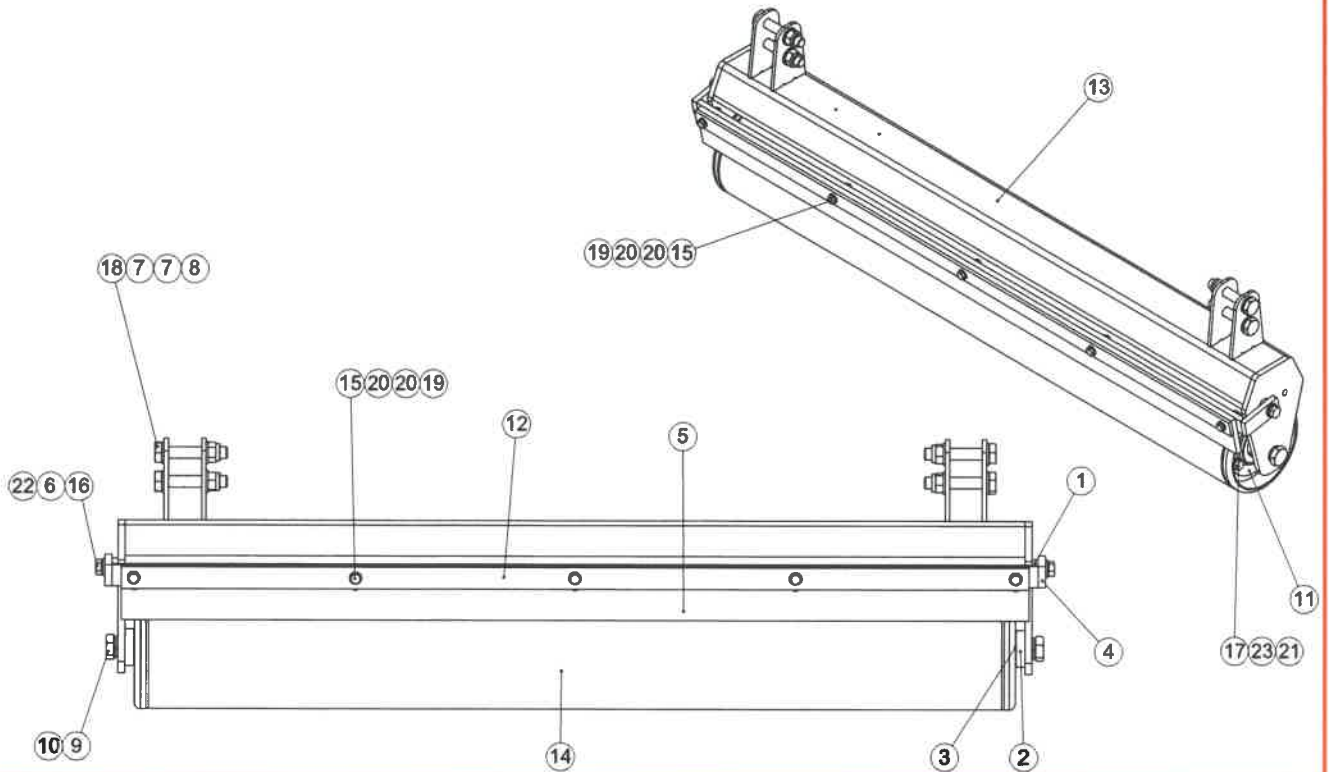
ITEM NO.	MODEL	PART NUMBER	DESCRIPTION	FS1271 (1.2m)	FS1169 (1.8m)	FS1267 (2.4m)
1	ALL	401583_REV0	GUARD SUPPORT	3	4	5
2	FS1271 (1.2m)	403054_REV0	FRAME W.A. (ROLASPIKE 1200)	1	-	-
2	FS1169 (1.8m)	F37852_REV5	FRAME W.A. (ROLASPIKE 6')	-	1	-
2	FS1267 (2.4m)	403050_REV0	FRAME W.A. (ROLASPIKE 8')	-	-	1
3	FS1271 (1.2m)	403056_REV0	SHAFT (ROLASPIKE 1200)	1	-	-
3	FS1169 (1.8m)	F37850_REV2	SHAFT (ROLASPIKE 6')	-	1	-
3	FS1267 (2.4m)	403052_REV0	SHAFT (ROLASPIKE 2400)	-	-	1
4	FS1271 (1.2m)	403057_REV0	GUARD (ROLASPIKE 1200)	2	-	-
4	FS1169 (1.8m)	401581_REV0	GUARD	-	2	-
4	FS1267 (2.4m)	403053_REV0	GUARD (ROLASPIKE 2400)	-	-	2
5	ALL	D1921_REV1	BEARING BFFL6-30	4	6	8
6	ALL	E1-1080_REV0	WASHER M16 FORMA	8	8	8
7	ALL	E1-1114_REV0	HEX BOLT M8 X 65	5	7	9
8	ALL	E1-1231_REV0	M16 NYLOC	4	4	4
9	ALL	F37287_REV4	ROLLER SPIKE TINE	312	468	624
10	ALL	F37735_REV2	ROLASPIKE DRUM (180 - 602)	2	3	4
11	ALL	F37851_REV2	SPACER	3	5	5
12	ALL	F37853_REV1	TAB WASHER M16	2	2	2
13	ALL	F37854_REV2	STAND LEG	2	2	2
14	ALL	SP01012_REV0	BUTTON HEAD M8 X 12	6	8	10
15	ALL	SP01035_REV0	HEX SET SCREW M10 X 25	8	12	16
16	ALL	SP01037_REV0	HEX SET SCREW M16 X 30	2	2	2
17	ALL	SP01108_REV0	HEX BOLT M16 X 90	4	4	4
18	ALL	SP02005_REV0	NUT M8 STD	5	7	9
19	ALL	SP02046_REV0	RIVNUT HEX M10 (1.0-3.5) [NO HEAD]	8	12	16
20	ALL	SP02048_REV0	RIVNUT HEX M8 (0.5-3.0) [HEADED]	312	468	624
21	ALL	SP03011_REV0	WASHER M10 FORMA	8	12	16
22	ALL	SP03015_REV0	WASHER M8 FORM C	10	14	18
23	ALL	SP03029_REV0	WASHER M8 SPRING LOCK	6	8	10
24	ALL	SP03034_REV0	WASHER M10 SPRING LOCK	8	12	16
25	ALL	SP14009_REV0	KNOB PLASTIC M8 MALE	2	2	2

DEEP SLITTER - FS1162



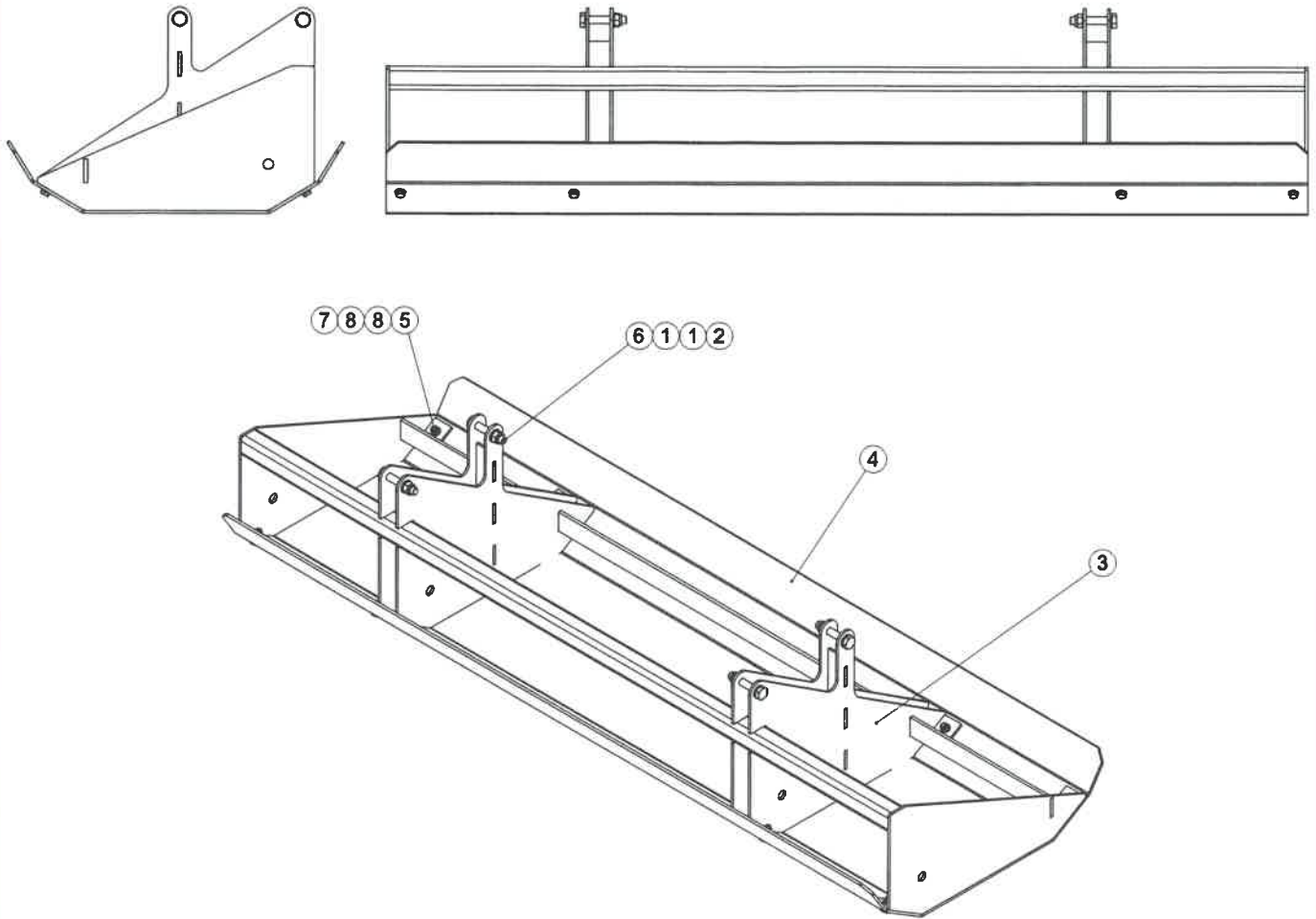
ITEM NO.	PART NUMBER	DESCRIPTION	QTY.
1	401513_REV0	MULTISLIT SIDE COVER LH	1
2	401517_REV0	MULTISLIT SIDE COVER RH	1
3	401526_REV0	SLITTER SHAFT 1200 WA	1
4	401528_REV0	MULTISLIT 1200 TOP COVER	1
5	401529_REV1	MULTISLIT 1200 FRONT COVER	1
6	403260_REV0	TIF SLITTER 1200 W.A.	1
7	D1871_REV1	RIVET 3.2 X 6	2
8	D6725_REV2	WASHER GUARD	8
9	D6951_REV1	TINE	32
10	E1-1080_REV0	WASHER M16 FORM A	4
11	E1-1134_REV0	HEX SET SCREW M10 X 80	12
12	F22430_REV1	BEARING BP207-35	2
13	F34904_REV1	GUARD CLAMP	4
14	F36000_REV2	SERIAL NO PLATE (SISIS)	1
15	SP01065_REV0	HEX SET SCREW M12 X 30	64
16	SP01108_REV0	HEX BOLT M16 X 90	4
17	SP02008_REV0	NUT M10 NYLOC (T)	4
18	SP02010_REV0	NUT M12 NYLOC (T)	64
19	SP02028_REV0	NUT M16 NYLOC (T)	4
20	SP03011_REV0	WASHER M10 FORM A	12
21	SP03034_REV0	WASHER M10 SPRING LOCK	8
22	SP14011_REV0	INSERT 50MM SQ. 1.0-3.0	4
23	SP18015_REV0	DECAL MULTISLIT 1200	1

ROLLER - FS0863 1.2m, FS0763 1.8m, FS0773 2.4m



ITEM NO.	MODEL	PART NUMBER	DESCRIPTION	FS0863 (1.2m)	FS0763 (1.8m)	FS0773 (2.4m)
1	ALL	D6056_REV2	SPACER	2	2	2
2	ALL	D6428_REV1	SPACER	2	2	2
3	FS0863 (1.2m)	D7962_REV1	ROLLER SHAFT 4FT	1	-	-
3	FS0763 (1.8m)	D6544_REV1	ROLLER SHAFT	-	1	-
3	FS0773 (2.4m)	D6421_REV1	ROLLER SHAFT	-	-	1
4	FS0863 (1.2m)	D7966_REV1	SCRAPER BRACKET ASSY 4'	1	-	-
4	FS0763 (1.8m)	D2731_REV2	SCRAPER BRACKET ASSY 6'	-	1	-
4	FS0773 (2.4m)	F31003_REV1	SCRAPER BRACKET ASSY 8'	-	-	1
5	FS0863 (1.2m)	D7967_REV1	SCRAPER BLADE RUBBER 4'	1	-	-
5	FS0763 (1.8m)	D3856_REV1	RUBBER SCRAPER	-	1	-
5	FS0773 (2.4m)	D6433_REV2	RUBBER SCRAPER BLADE	-	-	1
6	ALL	E1-1065_REV0	SPRING WASHER M12 SQUARE SECTION	2	2	2
7	ALL	E1-1080_REV0	WASHER M16 FORM A	8	8	8
8	ALL	E1-1231_REV0	M16 NYLOC	4	4	4
9	ALL	E1-1633_REV0	HEX SET SCREW M20 X 40	2	2	2
10	ALL	E1-1635_REV0	M20 SPRING WASHER	2	2	2
11	ALL	F21768_REV0	BEARING BPF7-35	2	2	2
12	FS0863 (1.2m)	F31288_REV1	SCRAPER CLAMP 4'	1	-	-
12	FS0763 (1.8m)	F31002_REV1	SCRAPER CLAMP	-	1	-
12	FS0773 (2.4m)	F31013_REV2	SCRAPER BRACKET STIFFNER	-	-	1
13	FS0863 (1.2m)	F31550_REV1	ROLLER FRAME 4' ASSY	1	-	-
13	FS0763 (1.8m)	F30977_REV1	ROLLER FRAME 6' ASSY	-	1	-
13	FS0773 (2.4m)	F30987_REV1	ROLLER FRAME 8' ASSY	-	-	1
14	FS0863 (1.2m)	F36128_REV1	ROLLER 4'	1	-	-
14	FS0763 (1.8m)	F36129_REV1	ROLLER 6'	-	1	-
14	FS0773 (2.4m)	F36130_REV1	ROLLER 8'	-	-	1
15	ALL	SPO1027_REV0	HEX SET SCREW M8 X 40	5	8	10
16	ALL	SPO1078_REV0	HEX SET SCREW M12 X 40	2	2	2
17	ALL	SPO1105_REV0	HEX SET SCREW M10 X 30	6	6	6
18	ALL	SPO1108_REV0	HEX BOLT M16 X 90	4	4	4
19	ALL	SPO2006_REV0	NUT M8 NYLOC (T)	5	8	10
20	ALL	SPO3008_REV0	WASHER M8 FORM A	10	16	20
21	ALL	SPO3011_REV0	WASHER M10 FORM A	6	6	6
22	ALL	SPO3012_REV0	WASHER M12 FORM A	2	2	2
23	ALL	SPO3034_REV0	WASHER M10 SPRING LOCK	6	6	6

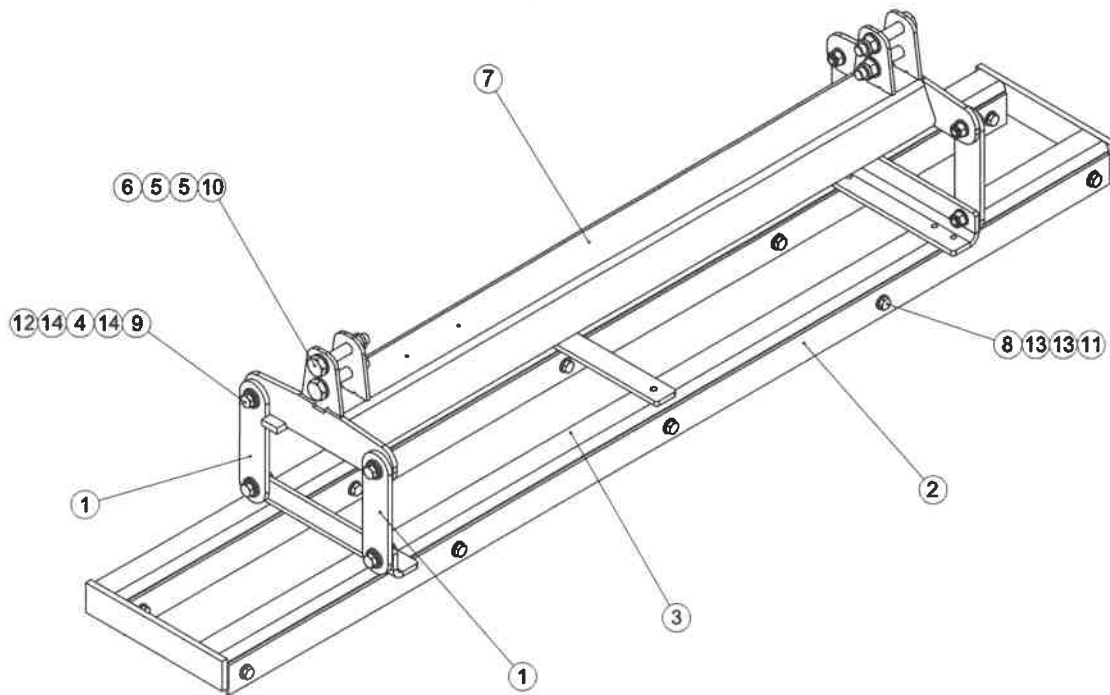
GRADER PLATE - FS1110 2m, FS1109 2.4m



FS1110 - 2m			
ITEM NO.	PART NUMBER	DESCRIPTION	QTY.
1	E1-1080_REV0	WASHER M16 FORM A	8
2	E1-1231_REV0	M16 NYLOC	4
3	F37296_REV2	FRAME ASSY	1
4	F37298_REV2	2M SKID	1
5	SP01105_REV0	HEX SET SCREW M10 X 30	8
6	SP01108_REV0	HEX BOLT M16 X 90	4
7	SP02008_REV0	NUT M10 NYLOC (T)	8
8	SP03011_REV0	WASHER M10 FORM A	16

FS1109 - 2.4m			
ITEM NO.	PART NUMBER	DESCRIPTION	QTY.
1	E1-1080_REV0	WASHER M16 FORM A	8
2	E1-1231_REV0	M16 NYLOC	4
3	F37296_REV2	FRAME ASSY	1
4	F37297_REV2	2.4M SKID	1
5	SP01105_REV0	HEX SET SCREW M10 X 30	8
6	SP01108_REV0	HEX BOLT M16 X 90	4
7	SP02008_REV0	NUT M10 NYLOC (T)	8
8	SP03011_REV0	WASHER M10 FORM A	16

LEVELLING LUTE - FS0762 1.8m, FS0772 2.4m



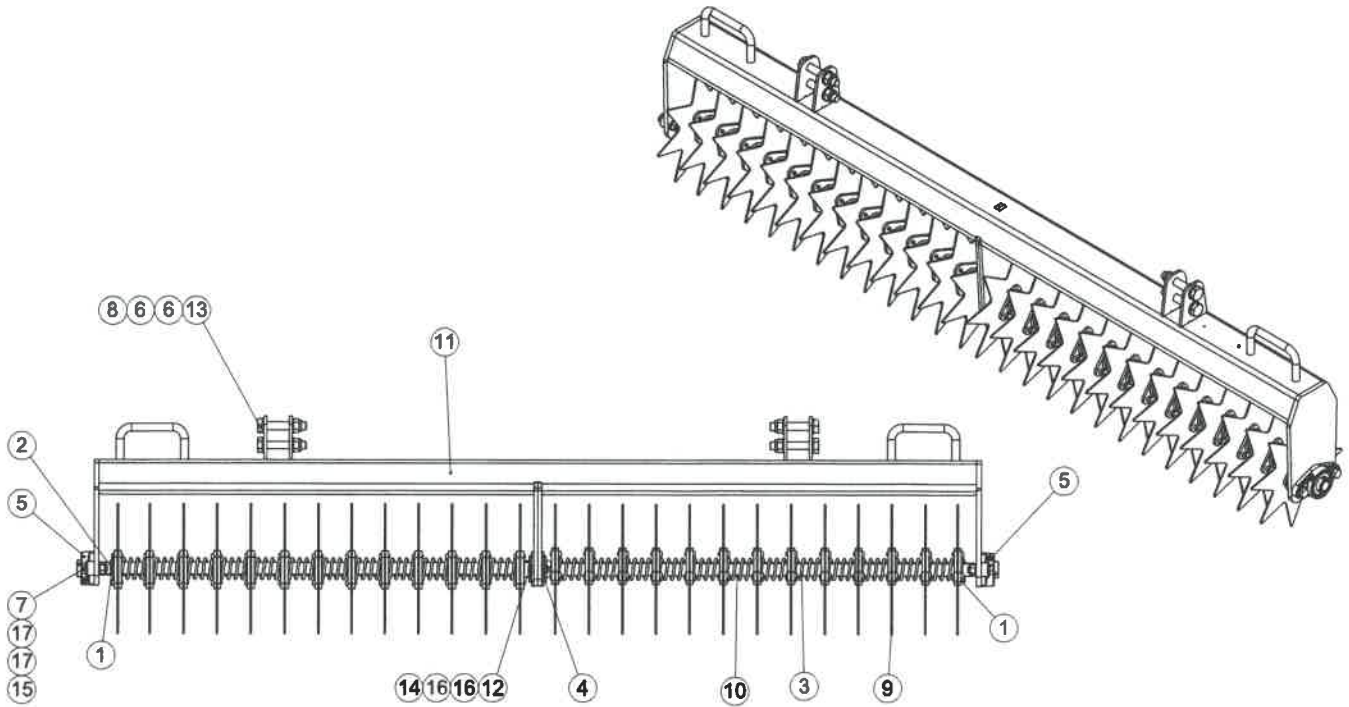
FS0762 - 1.8m

ITEM NO.	PART NUMBER	DESCRIPTION	QTY.
1	D6425_REV1	PARALLEL LINK ARM	4
2	D6541_REV1	BLADE 6'	2
3	D6545_REV1	TRULUTE FRAME 6'	1
4	D6650_REV1	STANDARD FERRULE	8
5	E1-1080_REV0	WASHER M16 FORM A	8
6	E1-1231_REV0	M16 NYLOC	4
7	F30975_REV1	SUB FRAME ASSY	1
8	SP01035_REV0	HEX SET SCREW M10 X 25	10
9	SP01078_REV0	HEX SET SCREW M12 X 40	8
10	SP01108_REV0	HEX BOLT M16 X 90	4
11	SP02008_REV0	NUT M10 NYLOC (T)	10
12	SP02010_REV0	NUT M12 NYLOC (T)	8
13	SP03011_REV0	WASHER M10 FORM A	20
14	SP03012_REV0	WASHER M12 FORM A	16

FS0772 - 2.4m

ITEM NO.	PART NUMBER	DESCRIPTION	QTY.
1	D5202_REV1	BLADE 8'	2
2	D6425_REV1	PARALLEL LINK ARM	4
3	D6426_REV1	LUTE FRAME 8'	1
4	D6650_REV1	STANDARD FERRULE	8
5	E1-1080_REV0	WASHER M16 FORM A	8
6	E1-1231_REV0	M16 NYLOC	4
7	F30975_REV1	SUB FRAME ASSY	1
8	SP01035_REV0	HEX SET SCREW M10 X 25	14
9	SP01078_REV0	HEX SET SCREW M12 X 40	8
10	SP01108_REV0	HEX BOLT M16 X 90	4
11	SP02008_REV0	NUT M10 NYLOC (T)	14
12	SP02010_REV0	NUT M12 NYLOC (T)	8
13	SP03011_REV0	WASHER M10 FORM A	28
14	SP03012_REV0	WASHER M12 FORM A	16

SPIKER SLITTER - FS0561 1.2m, FS0764 1.8m, FS0774 2.4m



ITEM NO.	MODEL	PART NUMBER	DESCRIPTION	FS0561 (1.2m)	FS0764 (1.8m)	FS0774 (2.4m)
1	All	D3051_REV2	SQUARE WASHER	2	2	2
2	All	D5622_REVO	SPLIT PIN DIAS x 50	2	2	2
3	All	D7904_REV1	SPACER SPRING	16	24	32
4	All	D8032_REVO	BEARING BPFL5-25	2	2	2
5	All	D8298_REV1	BEARING UCFT205-25	2	2	2
6	All	E1-1080_REVO	WASHER M16 FORM A	8	8	8
7	All	E1-1157_REVO	HEX BOLT M12 X 45	4	4	4
8	All	E1-1231_REVO	M16 NYLOC	4	4	4
9	All	F30470_REV2	SLITTER DISC ASSY	18	26	34
10	FS0561 (1.2m)	F31552_REV1	SLITTER SHAFT	2	-	-
10	FS0764 (1.8m)	F30474_REV1	SLITTER SHAFT (956mm)	-	2	-
10	FS0774 (2.4m)	F30478_REV1	SLITTER SHAFT	-	-	2
11	FS0561 (1.2m)	F33598_REV1	SLITTER FRAME 4' ASSY	1	-	-
11	FS0764 (1.8m)	F30974_REV1	SLITTER FRAME 6' ASSY	-	1	-
11	FS0774 (2.4m)	F30986_REV1	SLITTER FRAME 8' ASSY	-	-	1
12	All	SP01027_REVO	HEX SET SCREW M8 X 40	2	2	2
13	All	SP01108_REVO	HEX BOLT M16 X 90	4	4	4
14	All	SP02006_REVO	NUT M8 NYLOC (T)	2	2	2
15	All	SP02010_REVO	NUT M12 NYLOC (T)	4	4	4
16	All	SP03008_REVO	WASHER M8 FORM A	4	4	4
17	All	SP03012_REVO	WASHER M12 FORM A	8	8	8



sisis[®]

SISIS, Ashbourne Road, Kirk Langley, Derbyshire, DE6 4NJ, England

Tel: +44 (0) 1332 824 777

Fax: +44 (0) 1332 824 525

Email: info@sisis.com

www.sisis.com

A division of Howardson Ltd – a proudly British company
Company reg No: 641526 – Vat No GB 345 9918 12