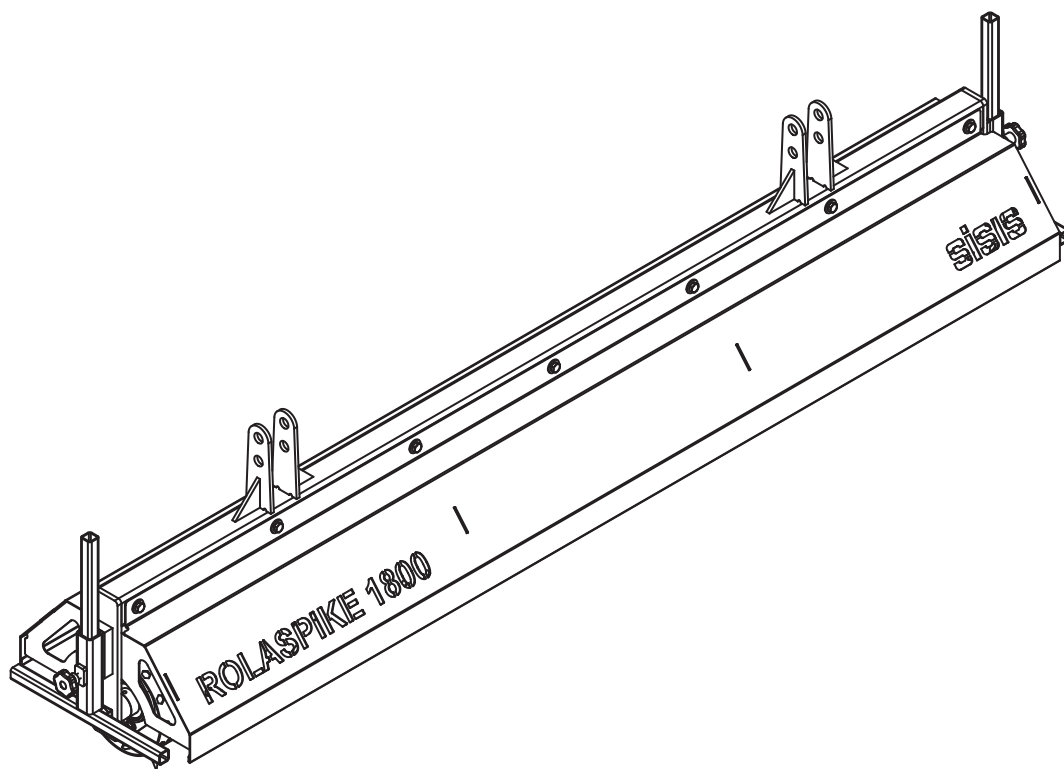


sisis®

ROLASPIKE INSTRUCTION MANUAL



SISIS, Ashbourne Road, Kirk Langley, Derbyshire, DE6 4NJ, England.

Tel: +44 (0) 1332 824 777 | Fax: +44 (0) 1332 824 525 | Email: info@sisis.com | www.sisis.com

A division of Howardson Ltd. - a proudly British company
Company reg no 641526 - Vat No GB 345 9918 12

SP20013_REV_1
10/13

The **ROLLERSPIKE CN CODE: 84322990**

Manufacturer:- Howardsons Ltd, Howardson Works, Kirk Langley, Derby DE6 4NJ. UK

Owner of Technical Document:- Mr I.D. Howard, Howardson Ltd, Howardson Works Kirk Langley, Derby, DE6 4NJ, UK

I the undersigned declare that these machines:- Model: Rollerspike

Complies with the applicable requirements of:- Machine Directive 2006/42/EC



Managing Director - Ian Howard

Serial Numbers



NOTE

MAKE A NOTE OF THE SERIAL NUMBERS OF YOUR MACHINE & ENGINE AND ALWAYS QUOTE THEM IN ANY COMMUNICATION WITH PERSONNEL AT DENNIS.

MACHINE SERIAL NUMBER

Introduction

The **SISIS Rolaspik**e is virtually maintenance-free, and tines can be replaced should they become worn.

It is advisable to read the instructions carefully. Proper care and attention will enable the machine to give a continuous, satisfactory, and reliable service.

In the case of any difficulty, or if further information or advice is required, our Service Department is always at your call. In the interests of speed and accuracy of information please quote the serial number of the machine when making enquiries.

For the machine, this is to be found on a plate attached to the side frame. We suggest you write the numbers above.

Contents

	Page
Serial Numbers.....	2
Introduction.....	2
Technical Data.....	2
Operating Instructions	3
Parts Listings.....	4
Notes	5

Technical Data

Model	Rolaspik		
Model Reference	FS1271	FS1169	FS1267
Length (mts)	1.2	1.8	2.4
Weight (Kg)	39	60	73
Number of Tines	312	468	624
Number of Holes per Sq. Mtr	936 (50mm x 50mm Sq. Pattern)		
Single Play Mounting Frame	FS870		
Twin Play Mounting Frame	FS870/1123		
Quadraplay	FS758		



CAUTION

PLEASE READ THESE OPERATING INSTRUCTIONS CAREFULLY BEFORE COMMENCING WORK.

We want you to obtain the best performance from this machine. If you have any difficulty in carrying out the following instructions please contact SISIS direct or your local SISIS Territory Manager or SISIS Dealer.

OPERATING PRINCIPAL

The SISIS **Rolaspikes** is a tractor mounted, Sorrel type roller.

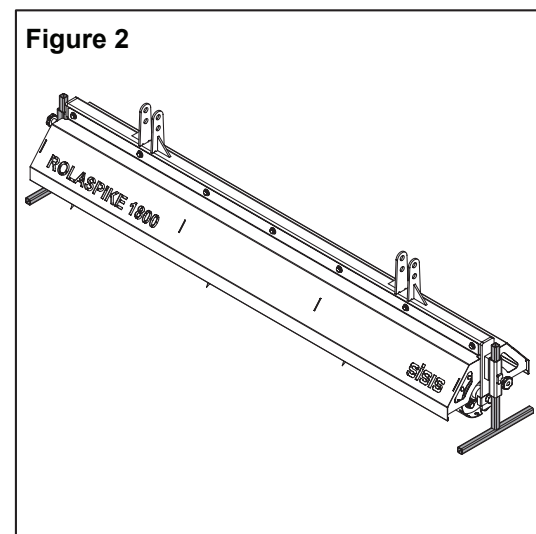
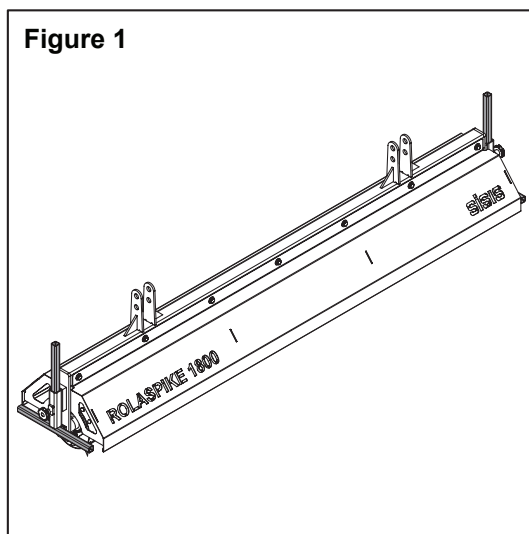
The tines are arranged in a helix pattern to run smoothly across the ground and are made from a hardened carbon steel and have a maximum penetration depth of 50mm (2ins) at 7mm diameter (9/32ins).

The tines are threaded and screwed into the drums and may be replaced when worn.

The Rolaspikes are attached to the SISIS Single Play, Twin Play or Quadraplay frame which is 3 point mounted onto the tractor rear lift arms.

When fitted to the Twin Play or Quadraplay other SISIS implements may be used in conjunction with the Rolaspikes.

The Rolaspikes are fitted with stand legs at both ends. These should be retracted and locked when in use (**See Figure 1**) and lowered and locked before removing the Rolaspikes from the tractor (**See Figure 2**). This will ensure the tines do not contact the ground when on hard standing and protect the tines from damage.



sisis®

SISIS, Ashbourne Road, Kirk Langley, Derbyshire, DE6 4NJ, England.

Tel: +44 (0) 1332 824 777 | Fax: +44 (0) 1332 824 525 | Email: info@sisis.com | www.sisis.com

A division of Howardson Ltd. - a proudly British company
Company reg no 641526 - Vat No GB 345 9918 12