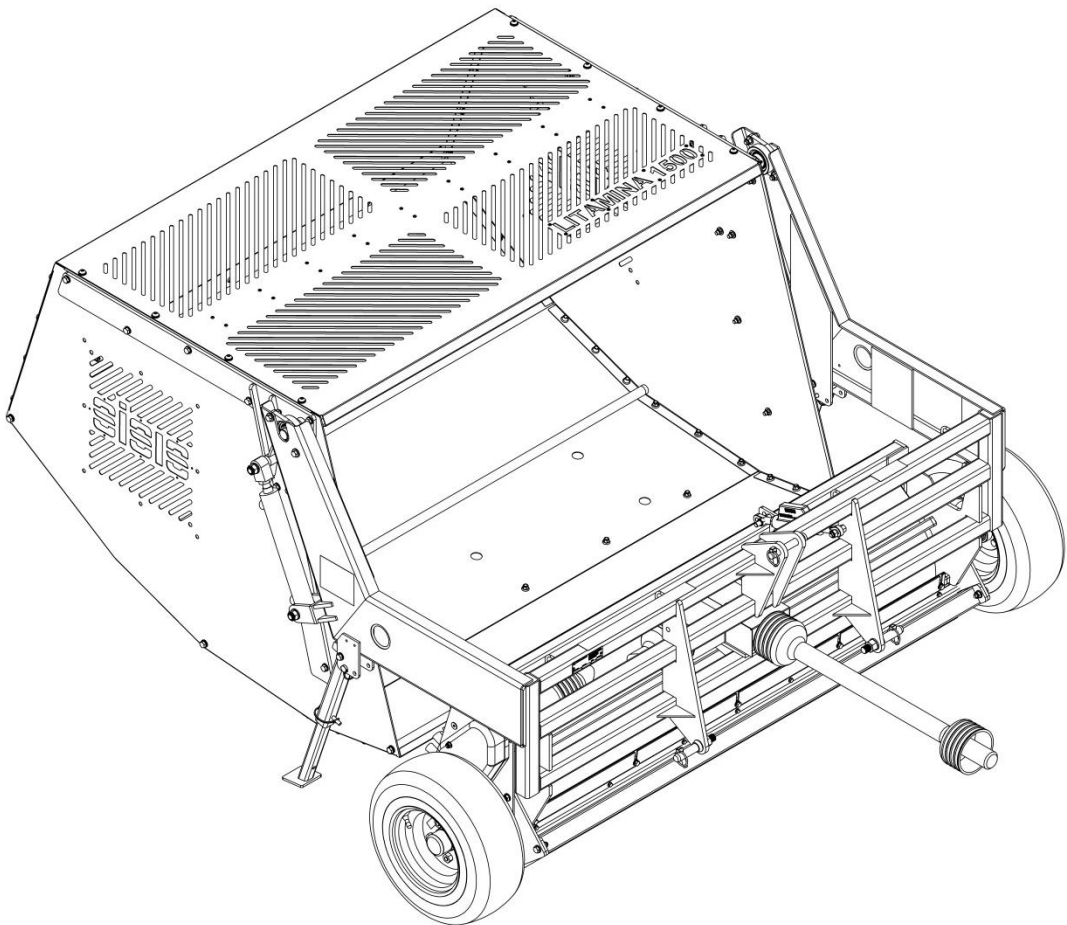


sisis[®]

LITAMINA 1200 + 1500 INSTRUCTION MANUAL



CERTIFICATE OF CONFORMITY

LITAMINA 1200 + 1500

CN Code: 84328000

Manufacturer:- Howardson Ltd, Howardson Works, Kirk Langley, Derby, DE6 4NJ. UK

Owner of Technical Document:- Mr I.D. Howard, Howardson Ltd, Howardson Works Kirk Langley, Derby, DE6 4NJ, UK

I the under signed Declare that these machines:-

Tested at:- Howardson Works test site September 2011

Complies with the applicable requirements of:-
- Machine Directive 2006/42/EC

Managing Director



Ian Howard

SERIAL NUMBERS



NOTE:-

MAKE A NOTE OF THE SERIAL NUMBER OF YOUR MACHINE AND ALWAYS QUOTE IT IN ANY COMMUNICATION WITH PERSONNEL AT DENNIS.

MACHINE SERIAL NUMBER

INTRODUCTION

The reliability and quality of performance of the **LITAMINA 1200 + 1500** depends upon some simple care maintenance carried out regularly. This manual has been prepared to allow the user to carry out all such work.

It is advisable to read the instructions carefully. Proper care and attention will enable the machine to give a continuous, satisfactory, and reliable service. Failure to carry out regular lubrication and maintenance as outlined in this manual may render any guarantee or warranty invalid.

In the case of any difficulty, or if further information or advice is required, our Service Department is always at your call. In the interests of speed and accuracy of information please quote the serial numbers of the machine and engine when making enquiries.

For the machine, this is to be found on a plate attached to the side frame. The engine number is stamped on either the crank case or the gear casing facing towards the front of the machine. We suggest you write the numbers on the front page of this book.

	Page
Declaration of Conformity.....	2
Serial Numbers.....	2
Introduction.....	2
Technical Data.....	3
Important Safety Instructions.....	3
Operating Instructions.....	4 - 6
Maintenance and Lubrication.....	7
Parts Listings.....	P0 – P18

TECHNICAL DATA

MODEL	LITAMINA 1200	LITAMINA 1500
WIDTH (mm)	1345	2173
LENGTH (mm)	1110	2842
HEIGHT (mm)	890	1135
WEIGHT (Kg)	253	407
WORKING WIDTH (mm)	1220	1635
HOPPER CAPACITY	1.44m ³ 1440L	1.78m ³ 1780L
HOPPER REFERENCE	FS1070 - 800545	FS1047 - 800547
TIPPING HEIGHT CLEARANCE	2157	2160
PTO		
RECOMMENDED TRACTOR	24KW – 32hp	24KW – 32hp

IMPORTANT SAFETY INTRODUCTIONS



CAUTION:-

READ THE INSTRUCTIONS. We want you to obtain the best performances from this machine. If you have any difficulty in carrying out the following instructions please contact your local SISIS dealer.

NEVER

- Carry out adjustments whilst the machine is running.
- Allow any unauthorised person to handle machines in any way at any time.
- Operate the machine with the hopper in the raised position.

ALWAYS

- Read the operating instructions carefully and understand the controls before commencing work.
- Before starting work always visually check machine for damage or wear to parts.
- Look behind before starting to reverse and watch out for children or pedestrians.
- Switch off the power before making adjustments or repairs and never lift or carry a machine whilst any parts are moving.

RESPECT

- Powered machines. Always keep hands and feet clear of moving parts and remember that tine cylinders or drums can continue to rotate even after the power unit is switched off.

PLEASE READ THE FOLLOWING INSTRUCTIONS CAREFULLY BEFORE USING THIS IMPLEMENT

We want you to obtain the best performance from this machine. If you have any difficulties after reading these operating instructions, please contact us or your local SISIS Territory Manager or SISIS Dealer.

Operation Principle

The brush is powered from the tractor PTO shaft (540rpm) through a bevel gear box and a heavy duty belt drive. The brush units are easily adjustable enabling precise setting of the sweeper to suit operating conditions.

The Litamina is designed for operation by compact tractors of 16hp and upwards. Tractor front weights can be added to improve steering stability when collecting heavy, wet refuse.

A synthetic surface model is also available with a mesh hopper to collect debris and redistribute the sand. Model reference HLL/1200SH.

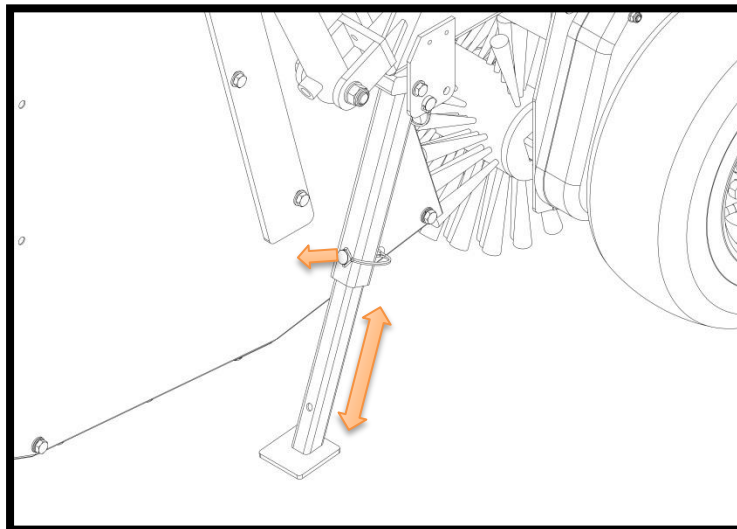
Attachment

First pull the bottom link stabiliser arm on to the tractor. **ALWAYS USE STABILISER TO ENSURE FULL CONTROL OVER THE MACHINE.**

Align the tractor with the Litamina. Fit the hydraulic lift arms (lifting the left hand side arm first) and secure with the retaining pins. Fit and secure the tractor top link and adjust its length until the top edge of the Litamina is horizontal and parallel with the ground.

Raise the Litamina on the tractor hydraulics and standing behind the machine, visually check that the top of the frame is horizontal, Using the side arm levelling screw as necessary. (Always check that the tractor rear wheels have equal inflation pressures).

Release the pins securing the drop legs, swing the drop legs into the working position and re-secure with the pins provided.



Fit the top end of the PTO shaft on to the tractor spline on to the tractor spline and the other end onto the gearbox spline. **IMPORTANT** there must be a minimum clearance of 50mm between the sliding members of the PTO shaft in their closed position. (See the makers leaflet for information on adjusting the length)

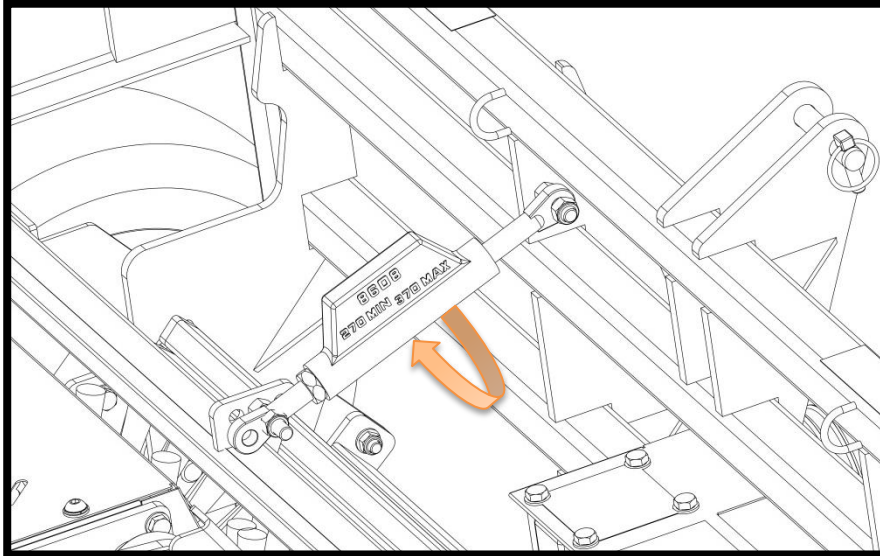
Fit the quick release couplings to the tractor auxiliary hydraulics (flow and return). Work the hydraulic lift lever to ensure that the hopper opens and shuts. Always keep the male and female halves of the quick release couplings clean and free from grit and dirt.

Check that the bevel gearbox is filled with oil (SAE90 or equivalent). Start the tractor and raise the machine just clear of the ground. With the engine at idling speed, gently engage the PTO drive clutch and visually check that the drive mechanism operates freely.

Adjusting The Brush

It is very important to set the brush to suit the surface conditions. If the brush is set too close to the ground, wear on the bristles can occur. With the sweeper lowered to its operating position, brush adjustment is made by rotating the turn buckle assembly so that the ends of the bristles are in light contact with the surface.

Adjustment should then be made to the front fixed brush section so that it is only in very light contact with the ground.



Operation

With the brush rotating and the tractor PTO speed at 540rpm move forwards to allow the brushes to throw the material to the rear of the hopper. If the material is being thrown too high, angle the deflector plate downwards slightly and recheck the flow into the hopper.

Never turn too sharply when using the machine. If a tight turn is necessary, always raise the machine in the hydraulics.

DO NOT overload the hopper with wet, heavy materials.

Maintenance

Daily – Walk around the machine and inspection check to ensure that all bolts are tight and that the brush bristles are in good condition.

Any deformed or damaged components should be rectified or replaced before using the machine.

Weekly – Conduct a complete machine inspection. Check all pivots for wear and investigate and excess movement.

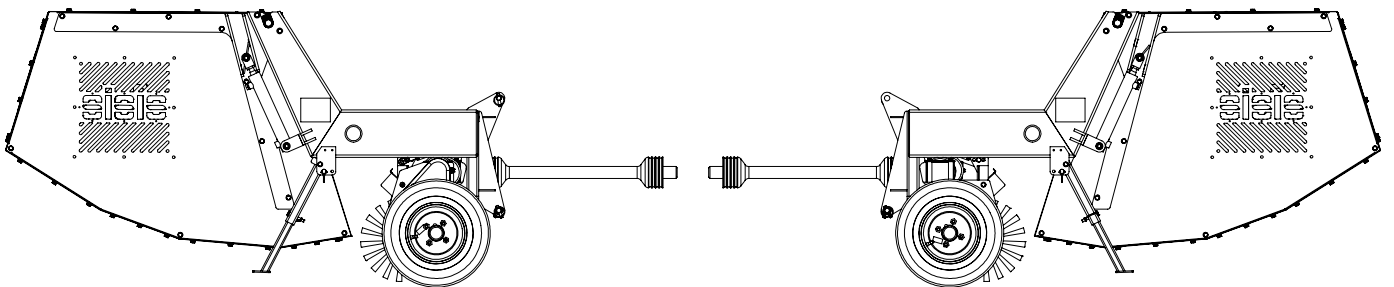
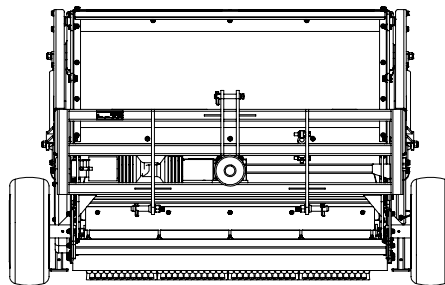
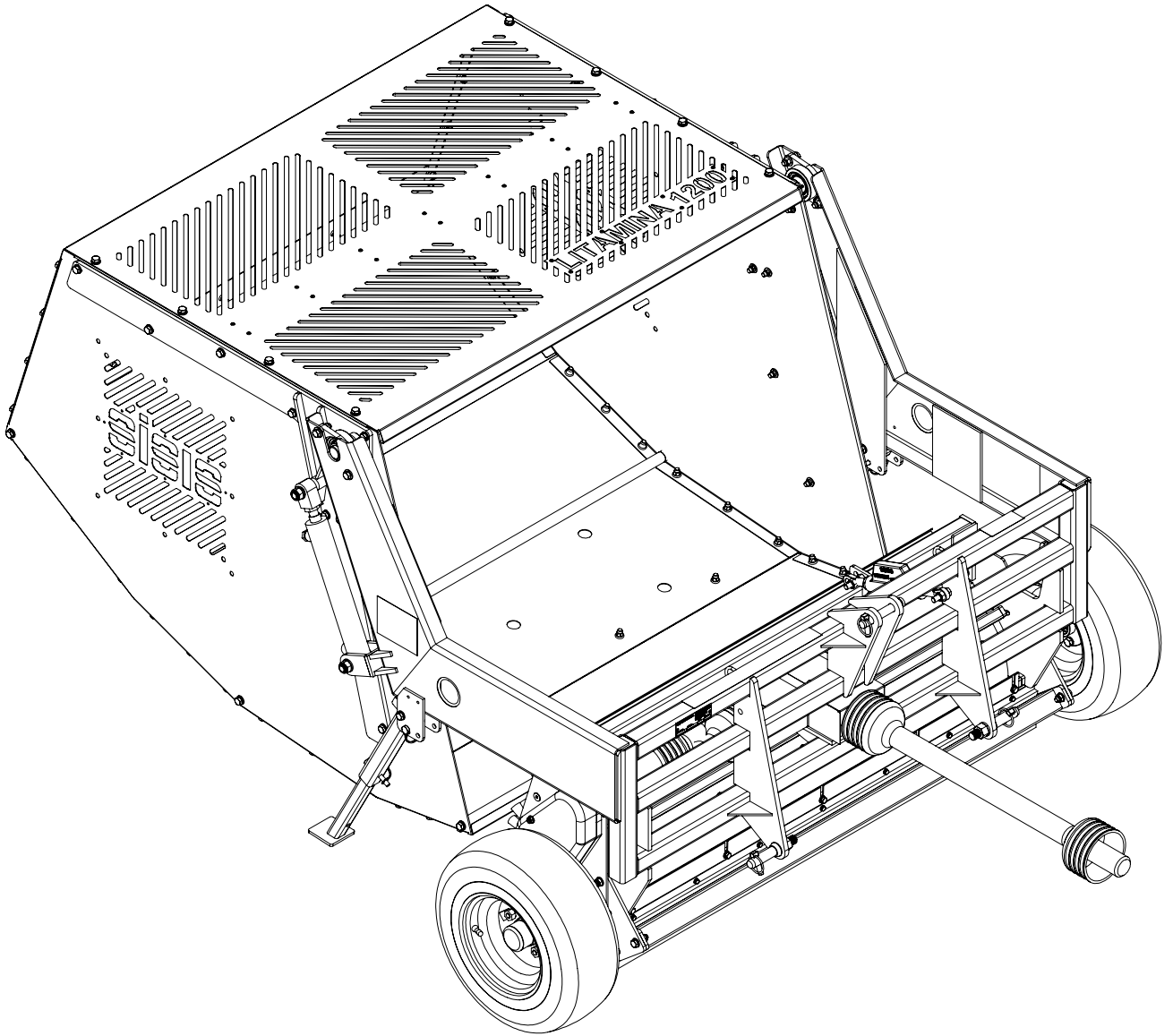
Oil the PTO shaft splines and ensure that the PTO shaft safety guard restraint system functions correctly.

PTO Drives to Tractors

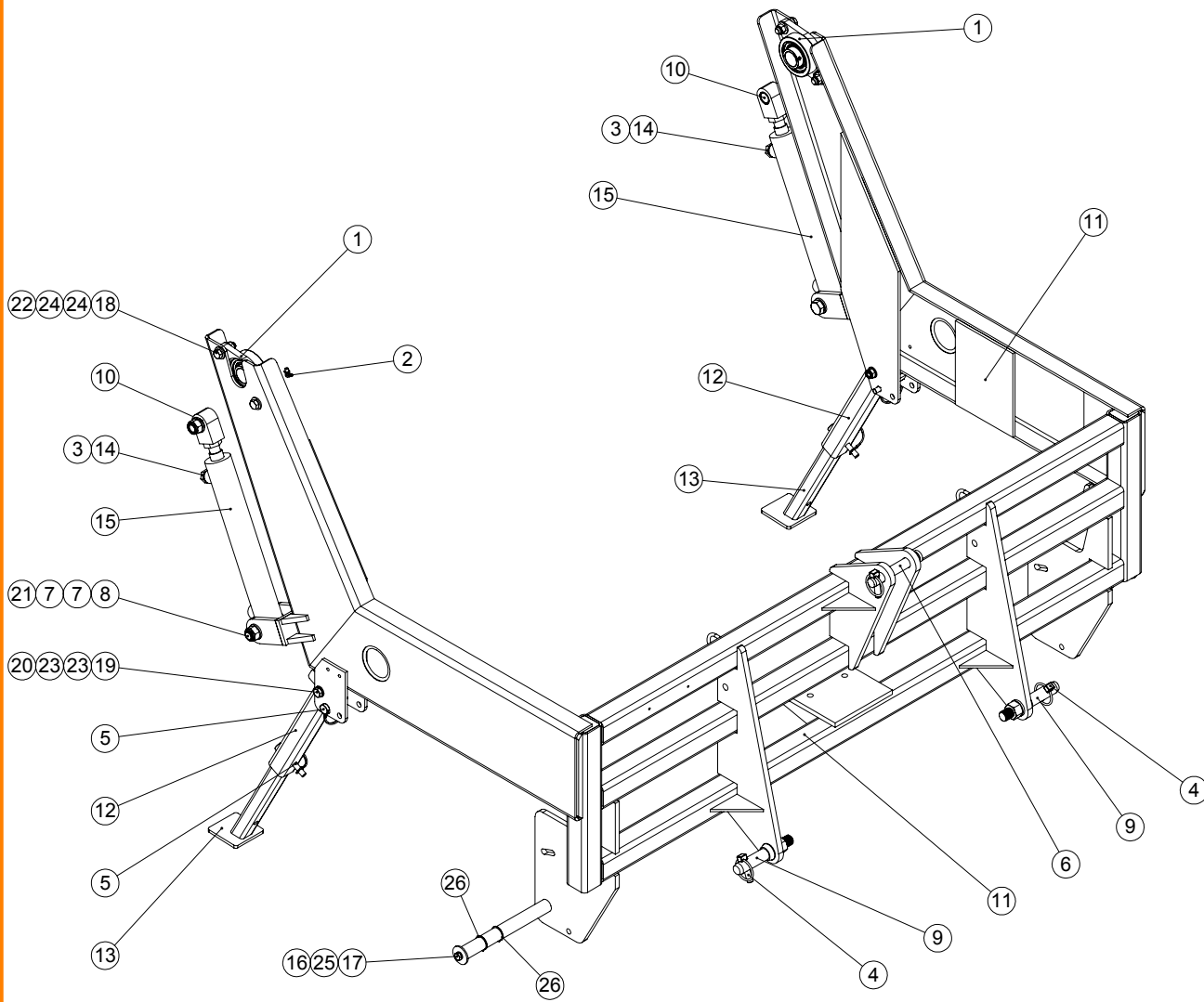
Before attaching or adjusting PTO driven implements always stop the engine and disengage the PTO drive.

Never operate PTO shafts at extreme angles and take particular care to avoid high linkage lift positions with the PTO in operation. (ie at the end of working runs)

Many tractors now have multi speed PTO systems. Take special care that the PTO speed selected is suitable for the implement being used eg never use 1000rpm on an implement designed for 540rpm.

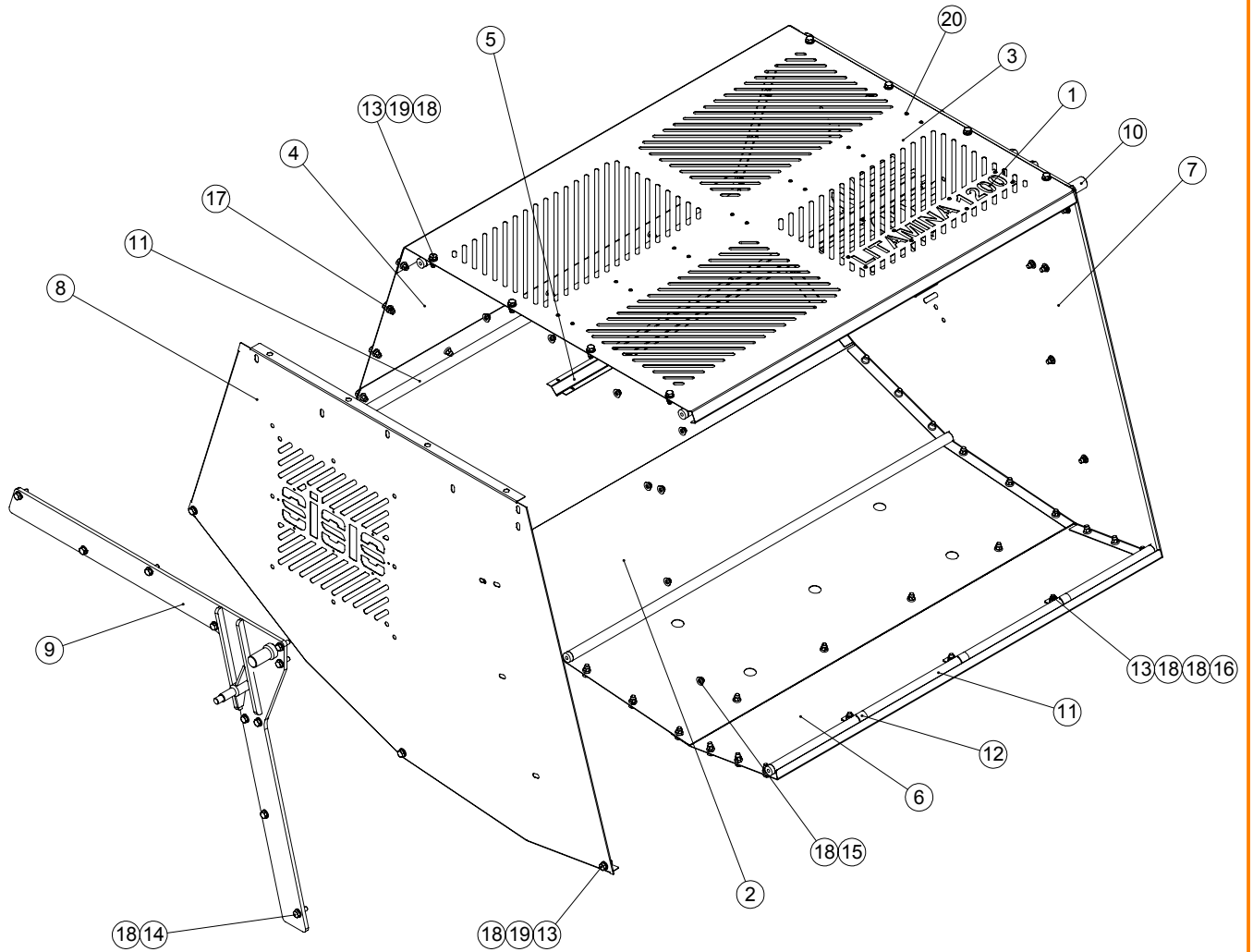


FRAME



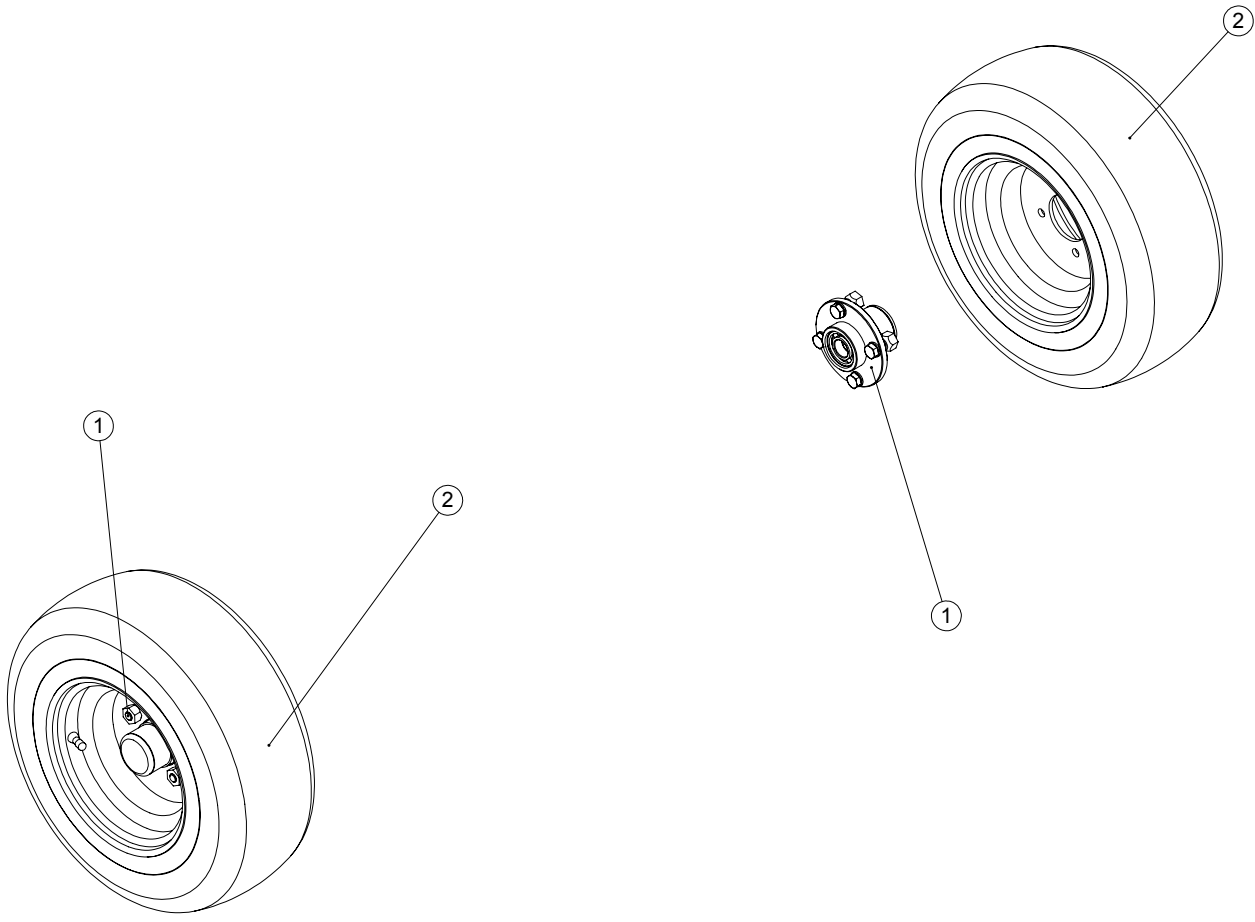
ITEM NO.	PART NUMBER	DESCRIPTION	FRAME/QTY.
1	D1922_REV0	BEARING UCFT206-30	2
2	D1948_REV0	GREASE NIPPLE 6MM 90 DEG	1
3	D8227_REV1	DOWTY SEAL 3/8" BSP (21/32" BORE)	2
4	D8326_REV1	PIN LINCH 7/16"	3
5	D8436_REV1	PIN LINCH DIA 9.2	4
6	D8617_REV1	TOP LINK PIN 3/4"	1
7	E1-1080_REV0	WASHER M16 FORM A	6
8	E1-1178_REV1	HEX BOLT M16 X 100	2
9	F20327_REV0	IMPLEMENT MOUNTING PIN	2
10	F21467_REV0	BUSH AM2025 - 30	2
11	F34454_REV6	CHASSIS ASSY LIT 1200	1
12	F34482_REV0	UPPER LEG	2
13	F34483_REV3	LOWER LEG	2
14	F34610_REV1	3/8" BSP PLUG WITH 2mm HOLE	2
15	F34958_REV1	RAM	2
16	F35835_REV2	WASHER	2
17	SP01045_REV0	HEX SET SCREW M8 X 25	2
18	SP01064_REV0	HEX SET SCREW 7/16" UNF X 1 1/2"	4
19	SP01103_REV0	HEX SET SCREW M10 X 70 (8.8 HT)	2
20	SP02008_REV0	NUT M10 NYLOC (T)	2
21	SP02028_REV0	NUT M16 NYLOC (T)	4
22	SP02056_REV1	NUT 7/16" UNF NYLOC (P)	4
23	SP03011_REV0	WASHER M10 FORM A	4
24	SP03012_REV0	WASHER M12 FORM A	8
25	SP03029_REV0	WASHER M8 SPRING LOCK	2
26	SP07011_REV0	CIRCLIP D1400-25	4

HOPPER - 800545



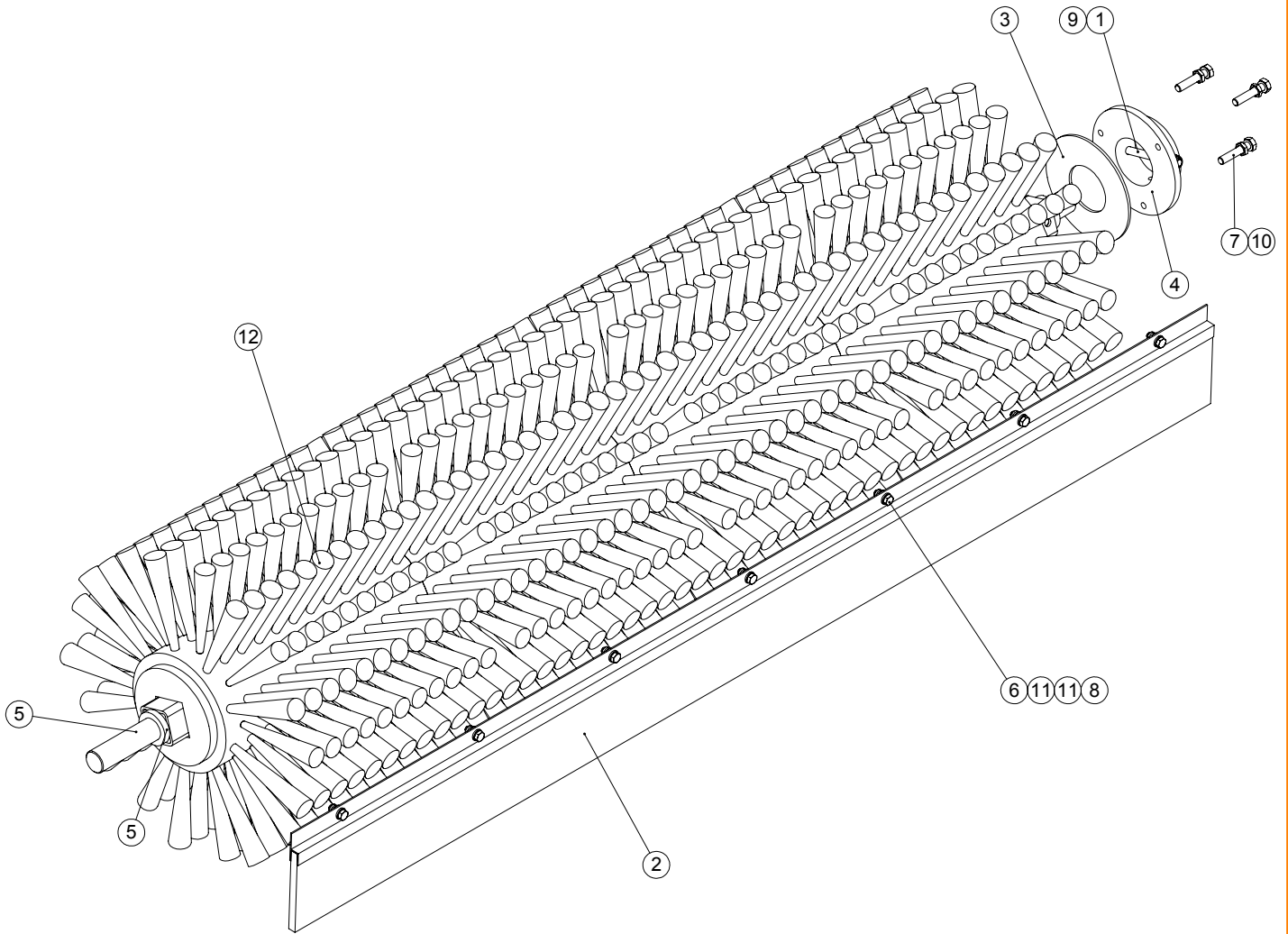
ITEM NO.	PART NUMBER	DESCRIPTION	QTY.
1	401155_REV0	BLANK PLATE TOP	1
2	401690_REV0	COLLECTOR BASE 1200	1
3	401691_REV0	COLLECTOR COVER 1200	1
4	401692_REV0	END PLATE 1200	1
5	401693_REV0	ROOF SUPPORT 1200	1
6	401694_REV0	COLLECTOR FRONT 1200	1
7	402773L_REV0	COLLECTOR L.H. END PLATE	1
8	402773R_REV0	COLLECTOR R.H. END PLATE	1
9	F34461_REV10	PIVOT ARM L.H.	1
10	F34462_REV10	PIVOT ARM R.H.	1
11	F34475_REV2	COLLECTOR STAY BAR 1200	5
12	F34534_REV1	COLLECTOR HOOK	3
13	SP01035_REV0	HEX SET SCREW M10 X 25	59
14	SP01105_REV0	HEX SET SCREW M10 X 30	20
15	SP02006_REV0	NUT M8 NYLOC (T)	15
16	SP02008_REV0	NUT M10 NYLOC (T)	3
17	SP02046_REV0	RIVNUT HEX M10 (1.0-3.5) [NO HEAD]	50
18	SP03011_REV0	WASHER M10 FORM A	98
19	SP03034_REV0	WASHER M10 SPRING LOCK	56
20	SP05001_REV0	RIVET 4.8 X 10	22

WHEELS



ITEM NO.	PART NUMBER	DESCRIPTION	WHEELS/QTY.
1	F22136_REV1	HUB ASSY	2
2	F22420_REV0	WHEEL	2

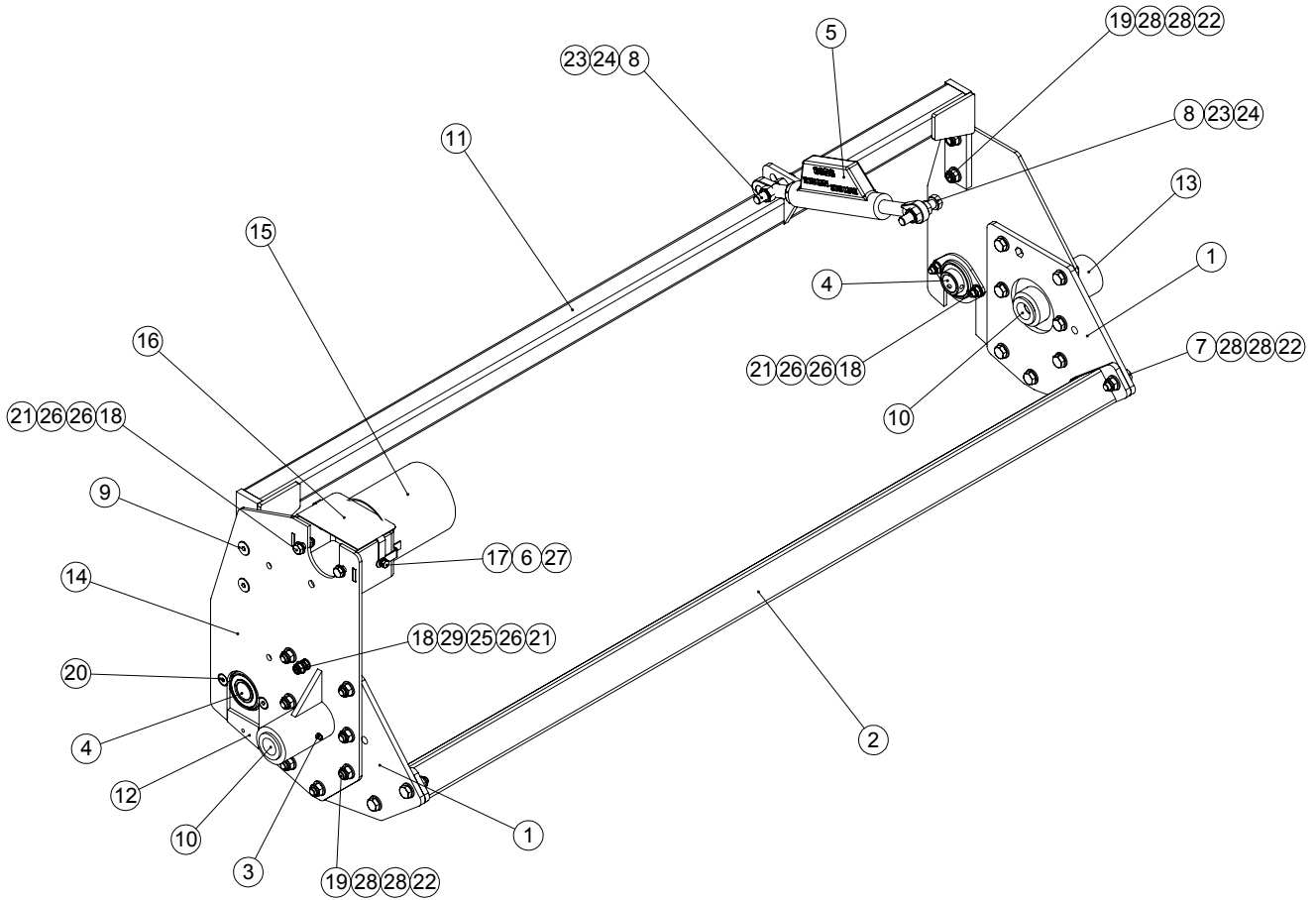
BRUSH



ITEM NO.	PART NUMBER	DESCRIPTION	BRUSH/QTY.
1	E1-1621_REV0	HEX BOLT M8 X 90	1
2	F31038_REV1	BRUSH	1
3	F36736_REV2	WASHER	1
4	F36737_REV3	BRUSH CLAMPING RING	1
5	F36939_REV2	BRUSH SHAFT 1200	1
6	SP01008_REV0	HEX SET SCREW M6 X 16	7
7	SP01027_REV0	HEX SET SCREW M8 X 40	3
8	SP02004_REV0	NUT M6 NYLOC	8
9	SP02006_REV0	NUT M8 NYLOC (T)	1
10	SP02012_REV0	NUT M8 LOCK (THIN)	3
11	SP03010_REV0	WASHER M6 FORM A	21
12	SP24009_REV0	BRUSH MULTI DENSE (1200 / 1500)	4

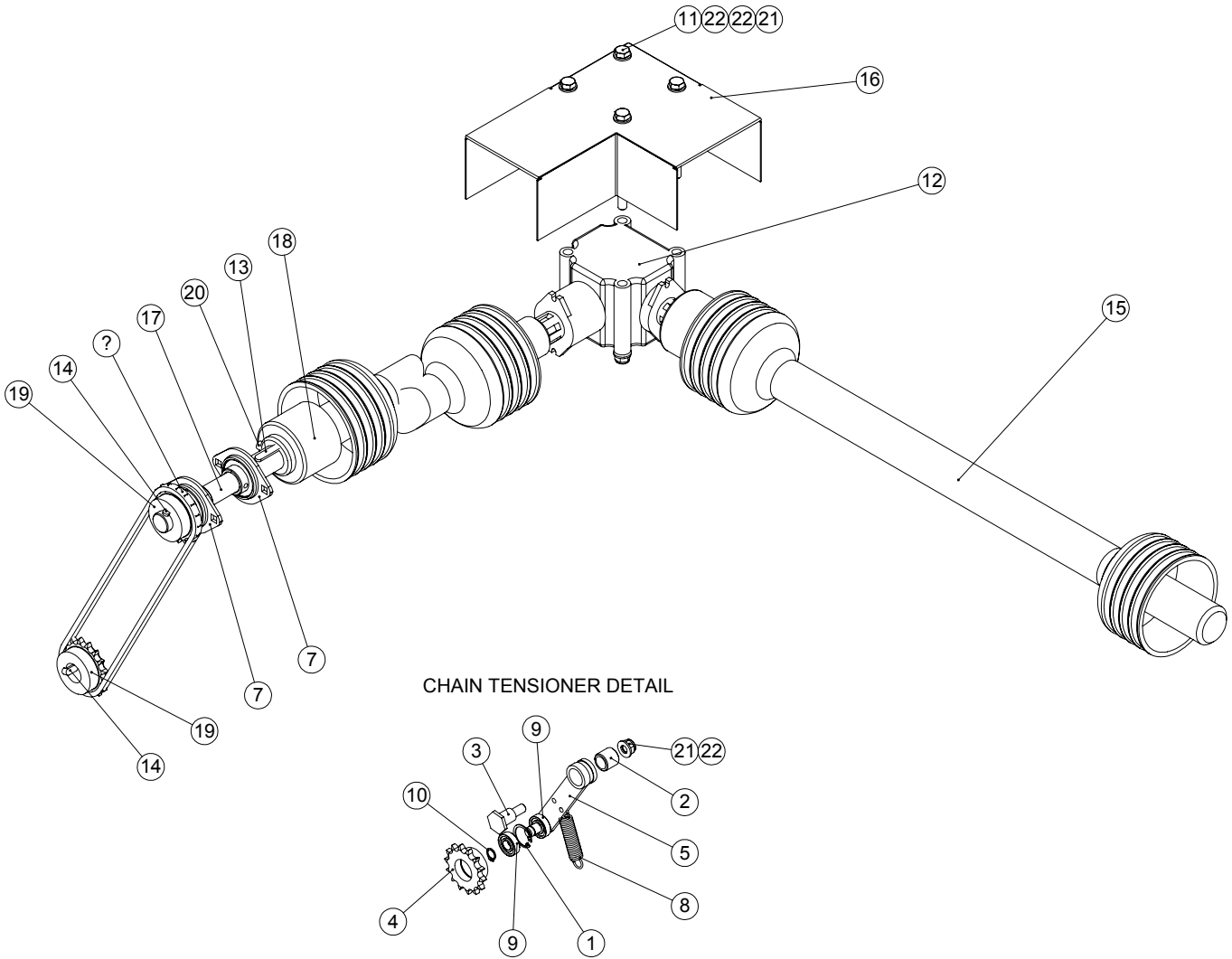
PRE-DECEMBER 2017 - BRUSH NUMBER F37706

BRUSH AND WHEEL FRAME



ITEM NO.	PART NUMBER	DESCRIPTION	FRAME 2/QTY.
1	400616_REV1	SIDE SUPPORT PLATE	2
2	401696_REV0	SIDE SUPPORT BRACE ASSY 1200	1
3	D1947_REV1	GREASE NIPPLE M6	2
4	D8032_REV0	BEARING BPFL5-25	2
5	D8608_REV0	TURNBUCKLE ASSEMBLY	1
6	E1-1061_REV0	WASHER M6 SPRING	2
7	E1-1119_REV0	HEX SET SCREW M10 X 35	4
8	E1-1161_REV0	HEX SET SCREW M12 X 60	2
9	E1-1203_REV1	CSK CAP HEAD M10 X 30	2
10	F21852_REV0	BUSH AF2532 - 30	4
11	F31111_REV1	LINK FRAME 1200	1
12	F31177_REV1	COVER ASSY	1
13	F36730_REV3	SIDE PLATE ASSY BRUSH L.H.	1
14	F36731_REV5	SIDE PLATE ASSY BRUSH R.H.	1
15	F36900_REV3	COVER	1
16	F36901_REV3	COVER PLATE	1
17	SP01008_REV0	HEX SET SCREW M6 X 16	2
18	SP01045_REV0	HEX SET SCREW M8 X 25	7
19	SP01105_REV0	HEX SET SCREW M10 X 30	17
20	SP01106_REV0	CSK CAP HEAD M8 X 25	2
21	SP02006_REV0	NUT M8 NYLOC (T)	9
22	SP02008_REV0	NUT M10 NYLOC (T)	22
23	SP02009_REV0	NUT M12 STD	2
24	SP02010_REV0	NUT M12 NYLOC (T)	2
25	SP02012_REV0	NUT M8 LOCK (THIN)	1
26	SP03008_REV0	WASHER M8 FORM A	15
27	SP03010_REV0	WASHER M6 FORM A	2
28	SP03011_REV0	WASHER M10 FORM A	43
29	SP03029_REV0	WASHER M8 SPRING LOCK	1

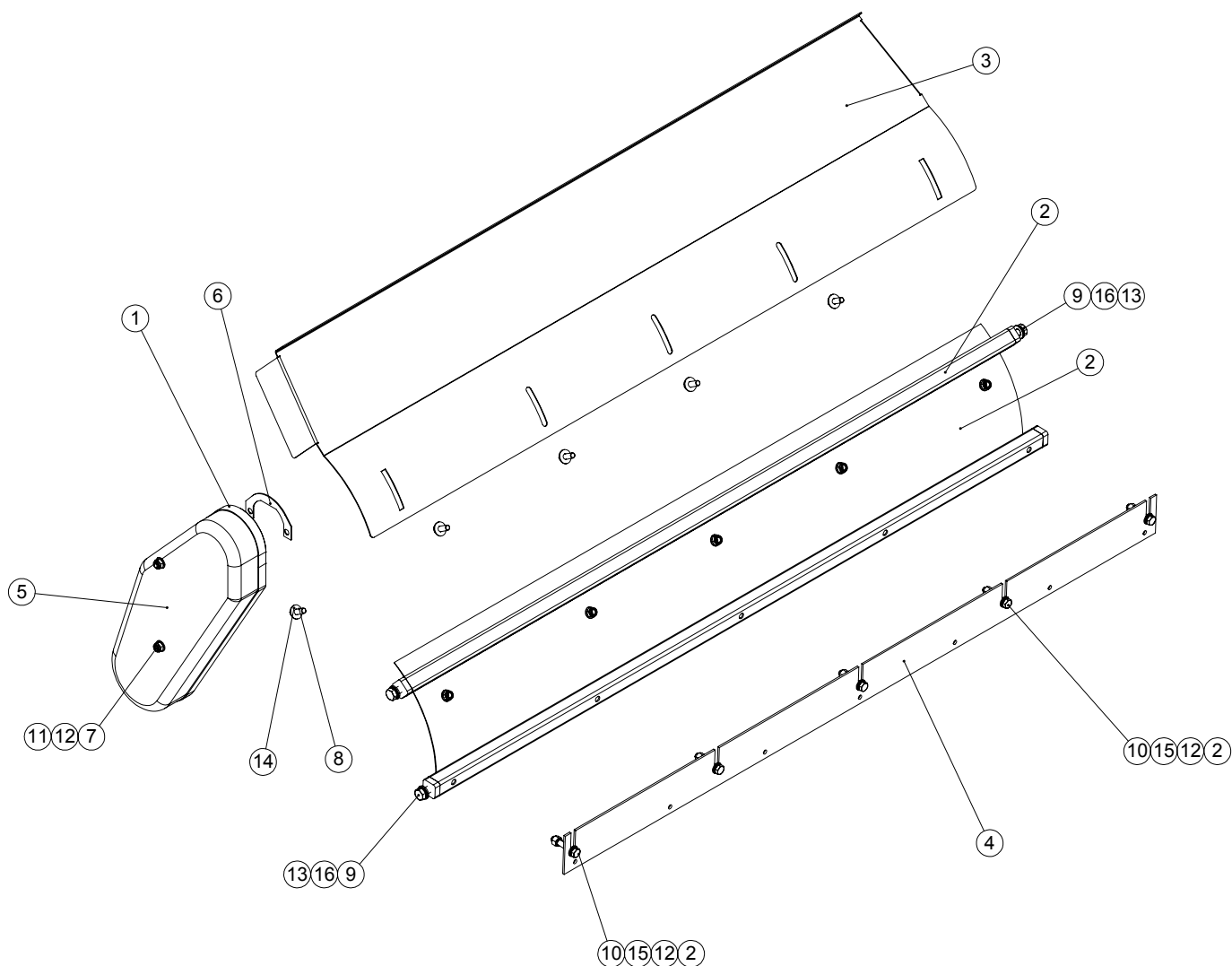
CHASSIS



CHAIN TENSIONER DETAIL

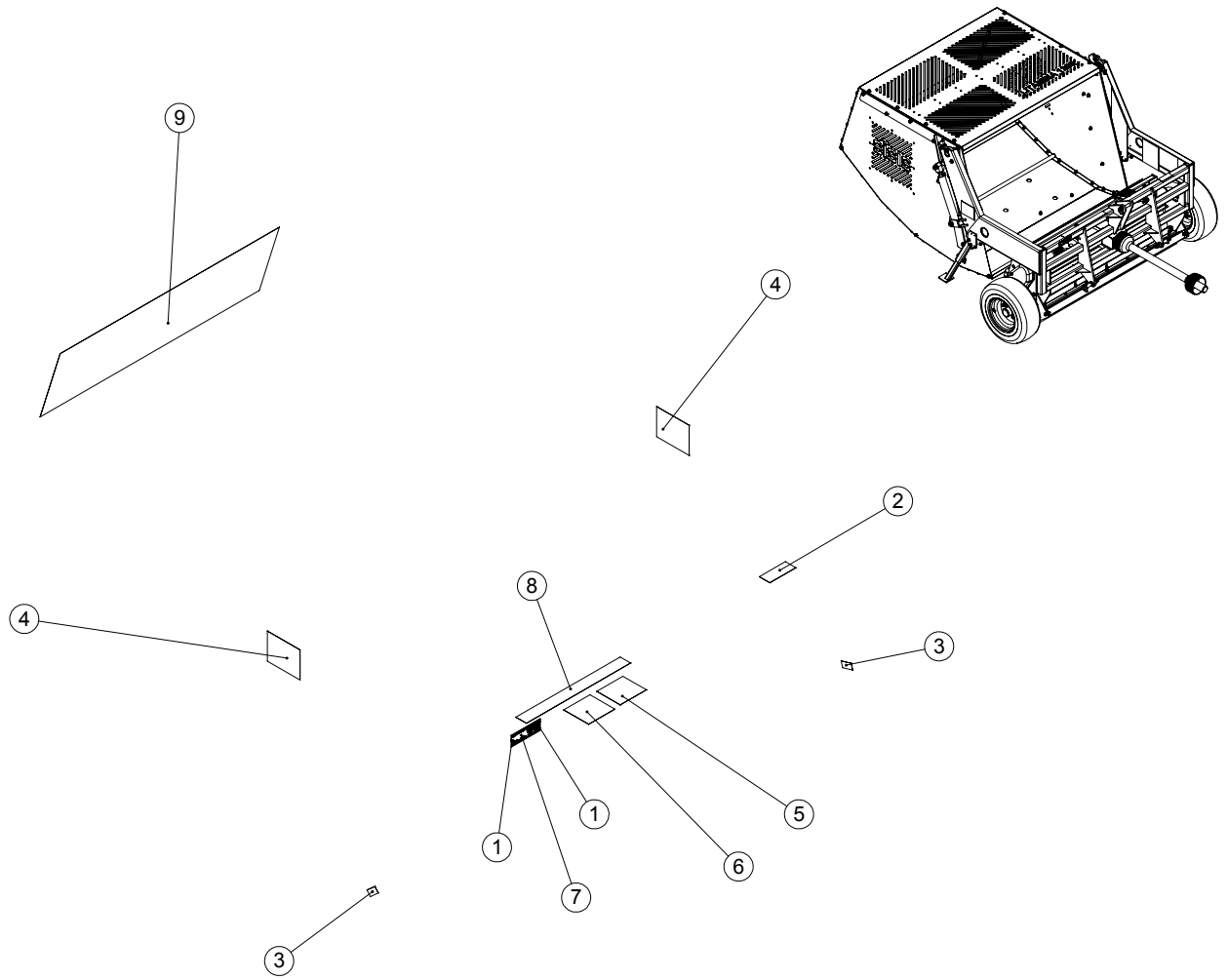
ITEM NO.	PART NUMBER	DESCRIPTION	DRIVE/QTY.
1	229829_REV1	CIRCLIP D1300 0280	1
2	229833_REV1	BUSH AL1622 - 20	1
3	D6182_REV1	TENSIONER PIVOT SHAFT	1
4	D6189_REV1	JOCKEY TENSIONER	1
5	D7979_REV1	JOCKEY TENSIONER ARM	1
6	D8007_REV1	CHAIN 1/2" PITCH	1
7	D8032_REV0	BEARING BPFL5-25	2
8	D8042_REV1	EXTENSION SPRING	1
9	D8173_REV1	BEARING 6001 2RS	2
10	D8175_REV1	CIRCLIP D1400 - 012	1
11	E1-1141_REV0	HEX SET SCREW M10 X 130	4
12	F20540_REV1	GEAR BOX	1
13	F22009_REV1	KEY 8 x 7 x 50	1
14	F22245_REV1	KEY 8 x 7 x 20	2
15	F30510_REV1	PTO SHAFT	1
16	F31187_REV6	GEAR BOX COVER	1
17	F36902_REV3	SHAFT	1
18	F36940_REV1	PTO SHAFT	1
19	F37095_REV1	SPROCKET 08B1 17T	2
20	SP01018_REV0	GRUB SCREW M10 X 16	1
21	SP02008_REV0	NUT M10 NYLOC (T)	5
22	SP03011_REV0	WASHER M10 FORM A	9

GUARDS

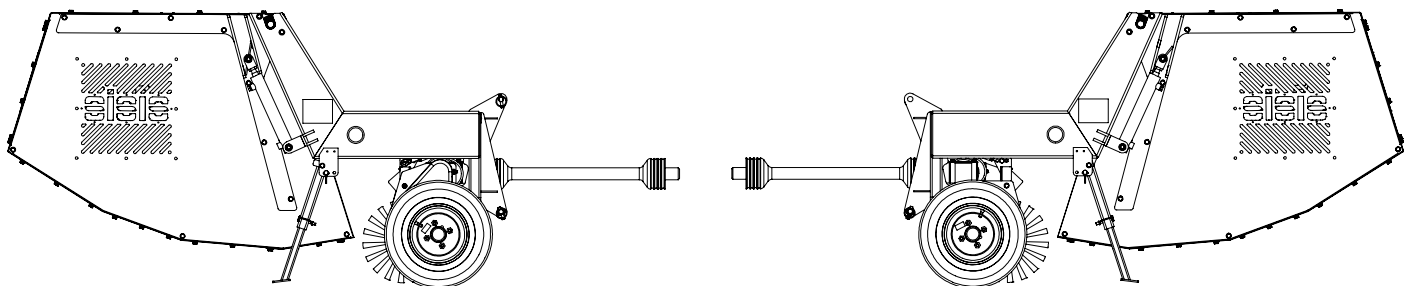
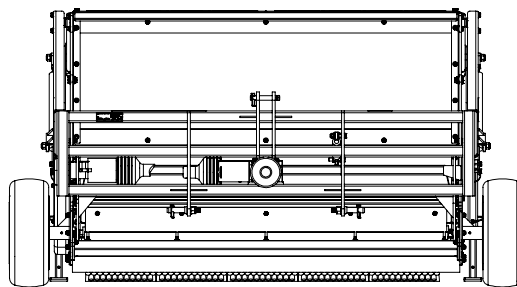
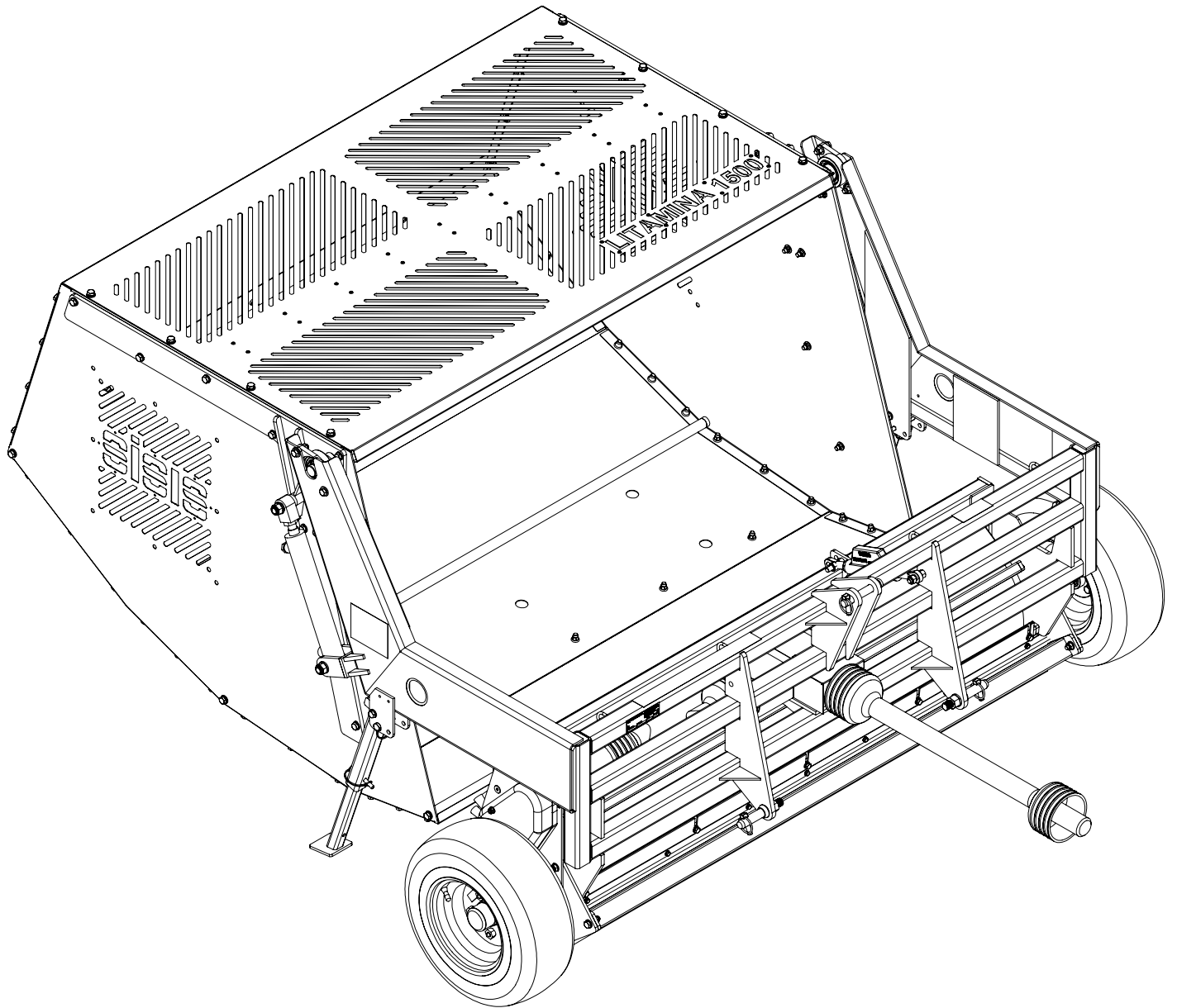


ITEM NO.	PART NUMBER	DESCRIPTION	GUARD/QTY.
1	D3171C_REV1	U STRIP RUBBER	1
2	F31114_REV1	BRUSH COVER 1200	1
3	F31115_REV1	DEFLECTOR EXTENSION 1200	1
4	F31188_REV1	ADJUSTER PLATE 1200	1
5	F36941_REV1	GUARD	1
6	F36943_REV2	GUARD SHIELD	1
7	F36944_REV2	GUARD STUD	2
8	SP01009_REV0	HEX SET SCREW M8 X 20	5
9	SP01035_REV0	HEX SET SCREW M10 X 25	4
10	SP01113_REV0	HEX SET SCREW M8 X 45	5
11	SP02006_REV0	NUT M8 NYLOC (T)	9
12	SP03008_REV0	WASHER M8 FORM A	14
13	SP03011_REV0	WASHER M10 FORM A	4
14	SP03015_REV0	WASHER M8 FORM C	5
15	SP03029_REV0	WASHER M8 SPRING LOCK	5
16	SP03034_REV0	WASHER M10 SPRING LOCK	4

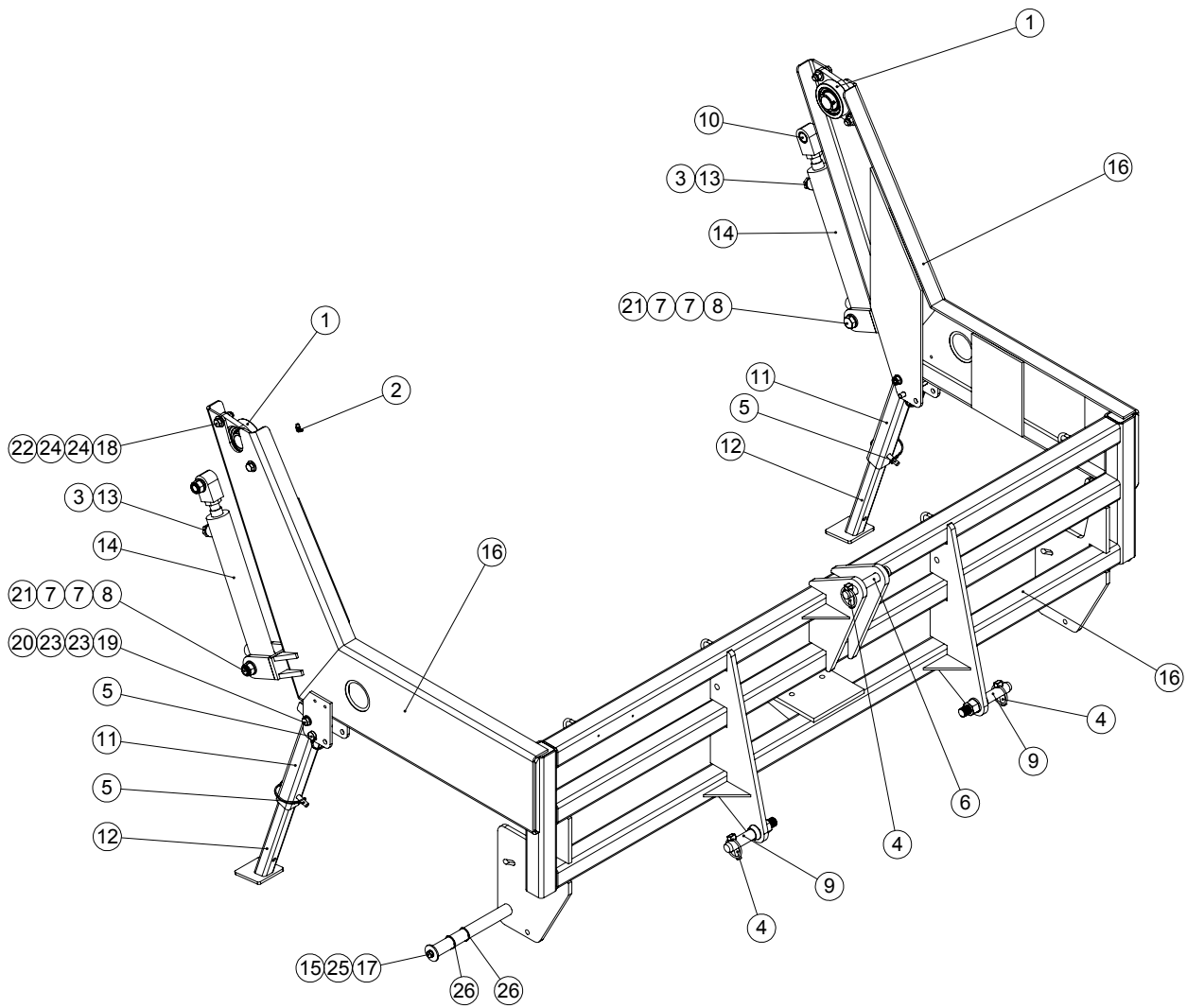
DECALS



ITEM NO.	PART NUMBER	DESCRIPTION	DECALS/QTY.
1	D1871_REV1	RIVET 3.2 X 6	2
2	D4121_REV1	TRANSFER WARNING	1
3	D6966_REV1	TRANSFER	2
4	F33356_REV1	TRANSFER	2
5	F34045_REV1	TRANSFER	1
6	F34052_REV1	TRANSFER	1
7	F36000_REV2	SERIAL NO PLATE (SISIS)	1
8	F36942_REV1	TRANSFER LITAMINA 1200(S)	1
9	F36945_REV1	TRANSFER LITAMINA 1200 (L)	1

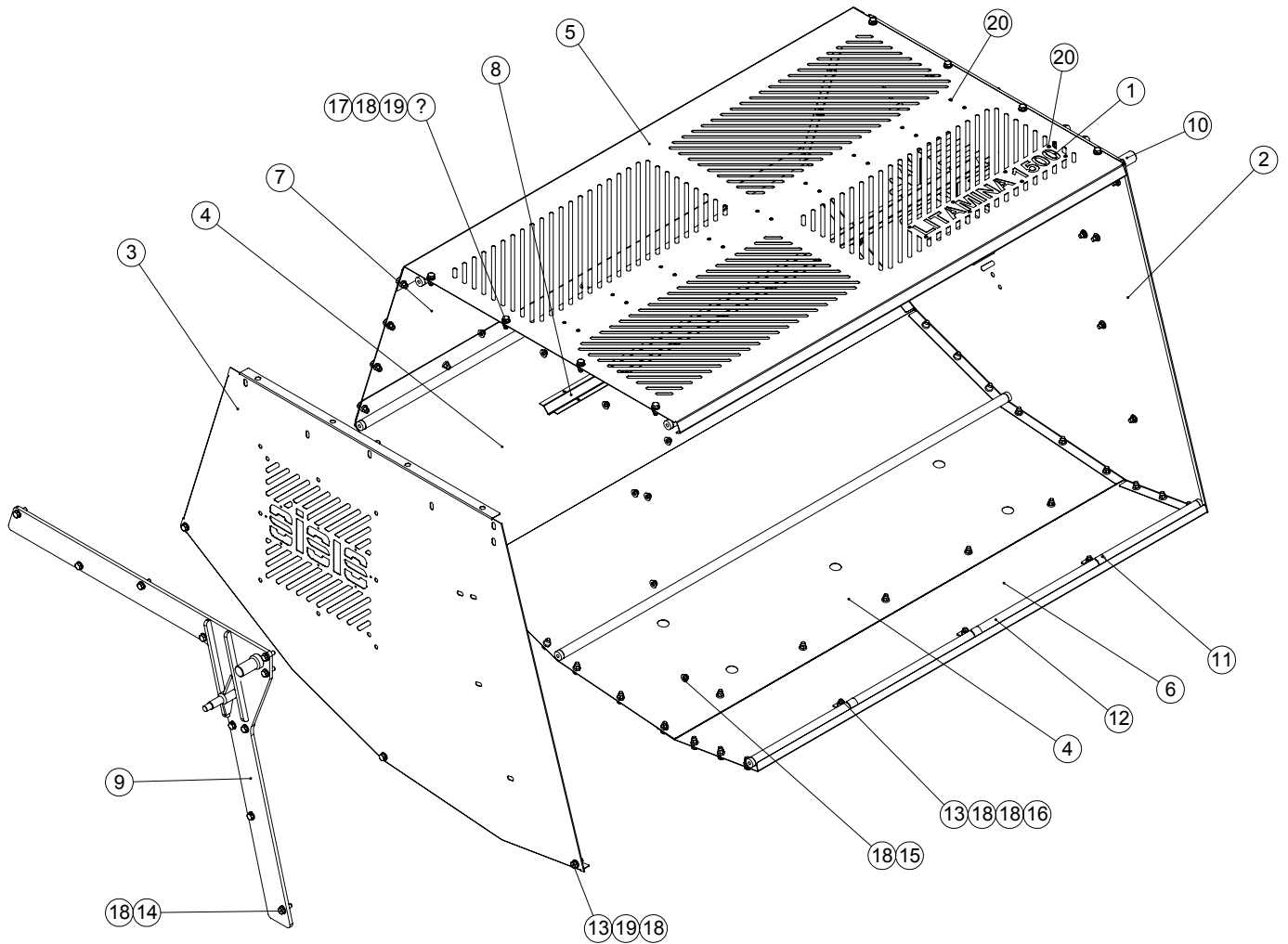


FRAME



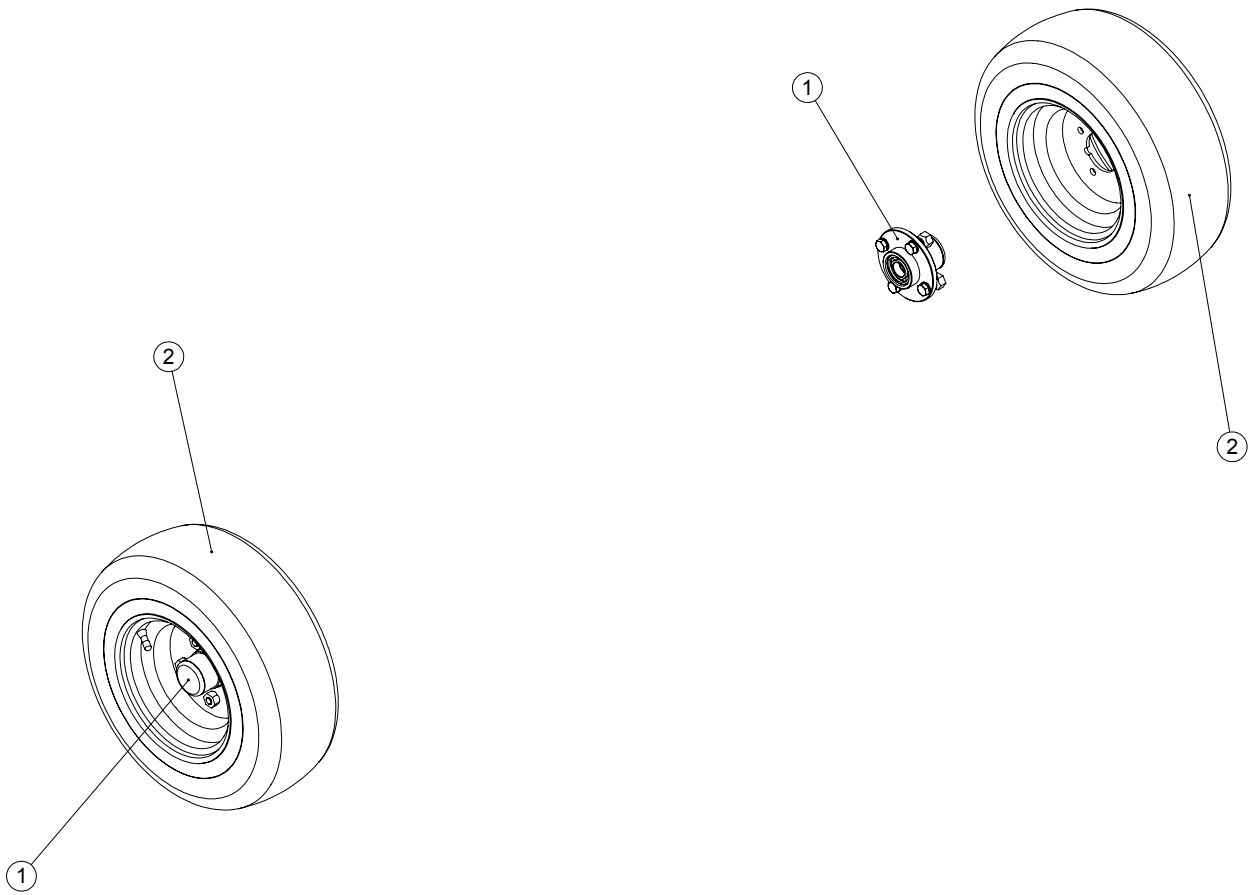
ITEM NO.	PART NUMBER	DESCRIPTION	FRAME/QTY.
1	D1922_REV0	BEARING UCFT206-30	2
2	D1948_REV0	GREASE NIPPLE 6MM 90 DEG	1
3	D8227_REV1	DOWTY SEAL 3/8" BSP (21/32" BORE)	2
4	D8326_REV1	PIN LINCH 7/16"	3
5	D8436_REV1	PIN LINCH DIA 9.2	4
6	D8617_REV1	TOP LINK PIN 3/4"	1
7	E1-1080_REV0	WASHER M16 FORM A	6
8	E1-1178_REV1	HEX BOLT M16 X 100	2
9	F20327_REV0	IMPLEMENT MOUNTING PIN	2
10	F21467_REV0	BUSH AM2025 - 30	2
11	F34482_REV0	UPPER LEG	2
12	F34483_REV3	LOWER LEG	2
13	F34610_REV1	3/8" BSP PLUG WITH 2mm HOLE	2
14	F34958_REV1	RAM	2
15	F35835_REV2	WASHER	2
16	F36720_REV8	CHASSIS ASSY LIT 1500	1
17	SP01045_REV0	HEX SET SCREW M8 X 25	2
18	SP01064_REV0	HEX SET SCREW 7/16" UNF X 1 1/2"	4
19	SP01103_REV0	HEX SET SCREW M10 X 70 (8.8 HT)	2
20	SP02008_REV0	NUT M10 NYLOC (T)	2
21	SP02028_REV0	NUT M16 NYLOC (T)	4
22	SP02056_REV1	NUT 7/16" UNF NYLOC (P)	4
23	SP03011_REV0	WASHER M10 FORM A	4
24	SP03012_REV0	WASHER M12 FORM A	8
25	SP03029_REV0	WASHER M8 SPRING LOCK	2
26	SP07011_REV0	CIRCLIP D1400-25	4

HOPPER - 800547



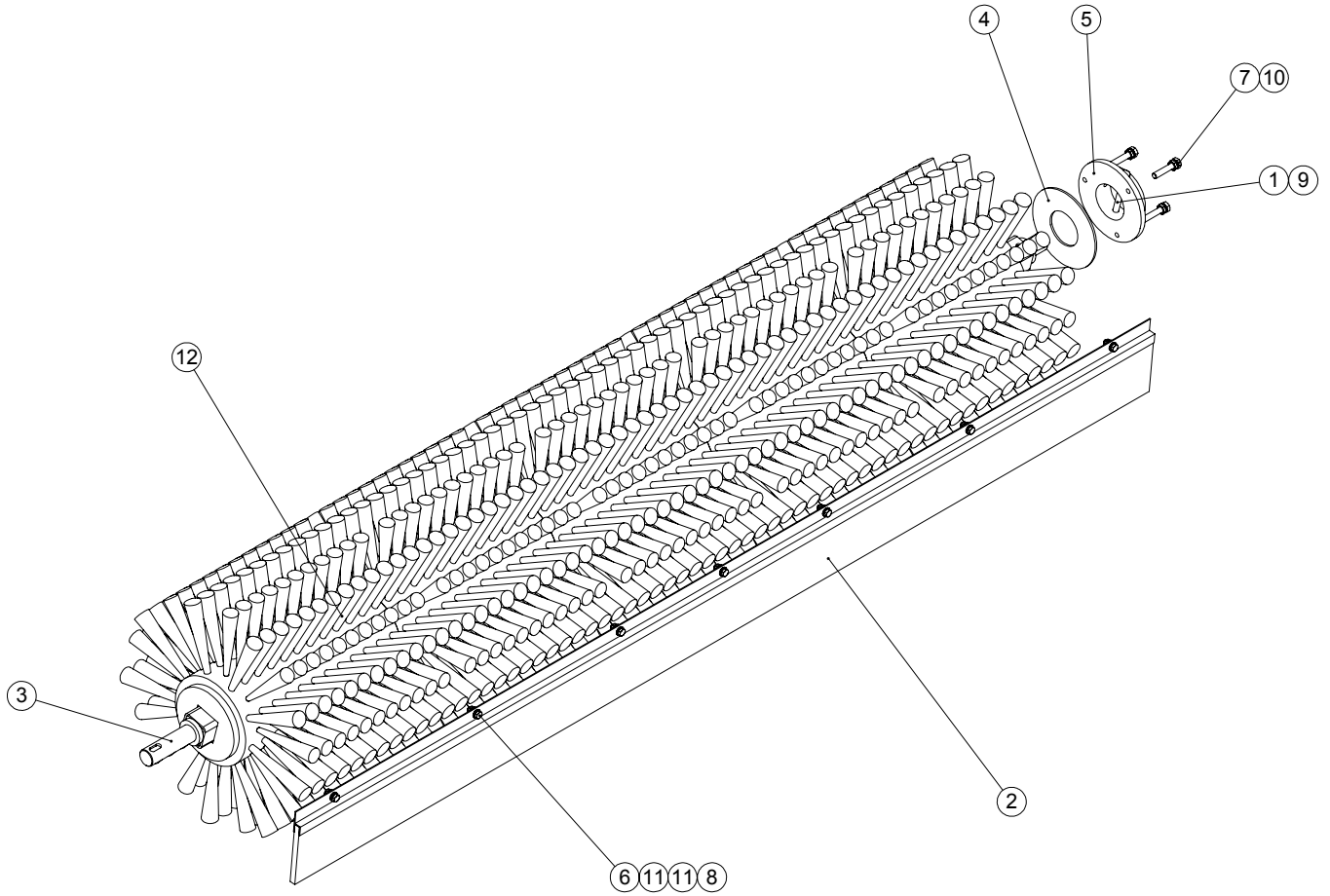
ITEM NO.	PART NUMBER	DESCRIPTION	QTY.
1	401155_REV0	BLANK PLATE TOP	1
2	402773L_REV0	COLLECTOR L.H. END PLATE	1
3	402773R_REV0	COLLECTOR R.H. END PLATE	1
4	402774_REV0	COLLECTOR BASE 1500	1
5	402775_REV0	COLLECTOR COVER 1500	1
6	402776_REV0	COLLECTOR FRONT 1500	1
7	402777_REV0	END PLATE 1500	1
8	402778_REV0	ROOF SUPPORT 1500	1
9	F34461_REV10	PIVOT ARM L.H.	1
10	F34462_REV10	PIVOT ARM R.H.	1
11	F34534_REV1	COLLECTOR HOOK	3
12	F36765_REV3	SPREADER BAR 1500	5
13	SP01035_REV0	HEX SET SCREW M10 X 25	60
14	SP01105_REV0	HEX SET SCREW M10 X 30	20
15	SP02006_REV0	NUT M8 NYLOC (T)	15
16	SP02008_REV0	NUT M10 NYLOC (T)	3
17	SP02046_REV0	RIVNUT HEX M10 (1.0-3.5) [NO HEAD]	51
18	SP03011_REV0	WASHER M10 FORM A	99
19	SP03034_REV0	WASHER M10 SPRING LOCK	57
20	SP05001_REV0	RIVET 4.8 X 10	26

WHEELS



ITEM NO.	PART NUMBER	DESCRIPTION	WHEELS/QTY.
1	F22136_REV1	HUB ASSY	2
2	F22420_REV0	WHEEL	2

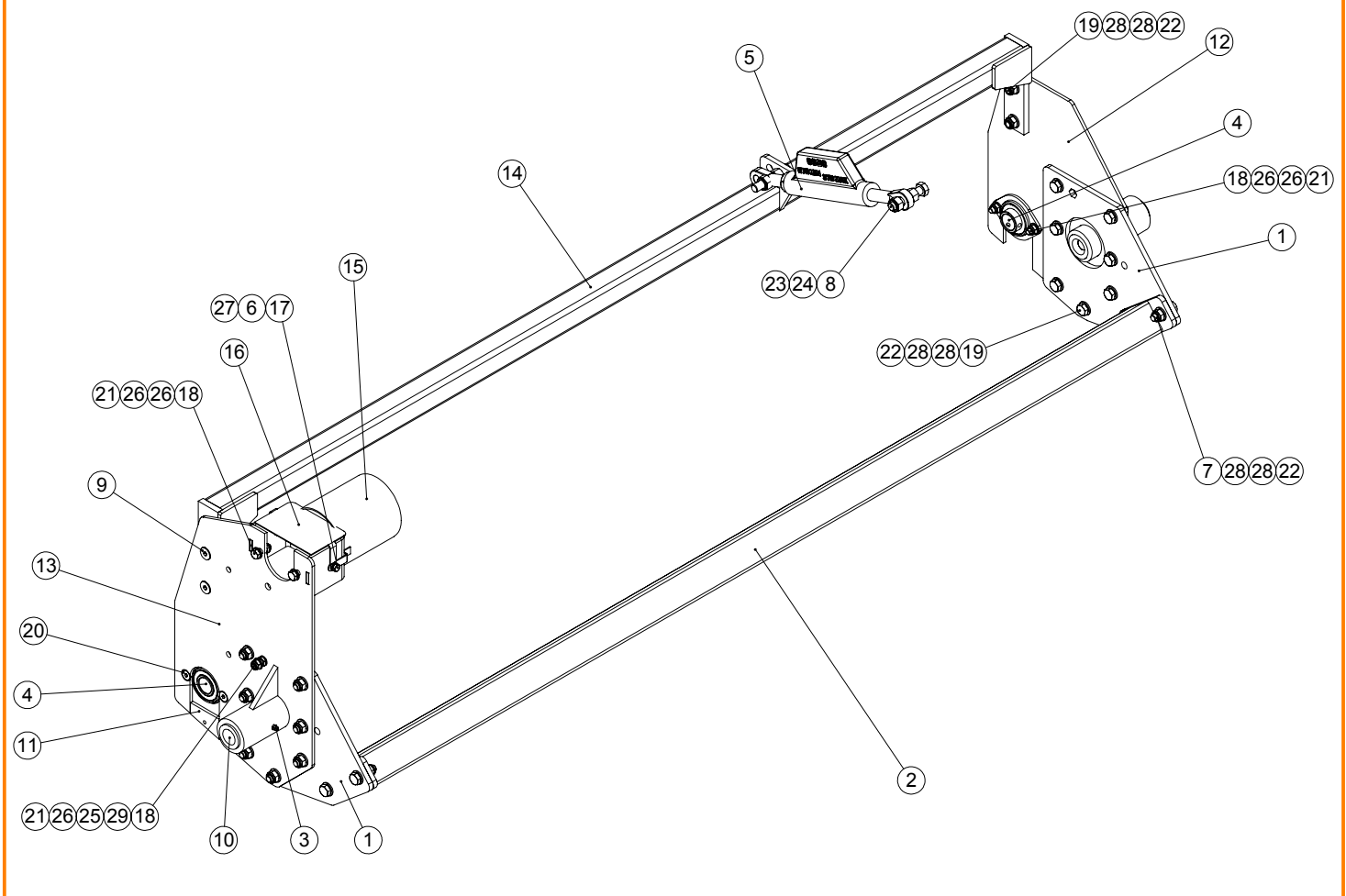
BRUSH



ITEM NO.	PART NUMBER	DESCRIPTION	BRUSH/QTY.
1	E1-1621_REV0	HEX BOLT M8 X 90	1
2	F36729_REV1	BRUSH	1
3	F36735_REV2	BRUSH SHAFT 1500	1
4	F36736_REV2	WASHER	1
5	F36737_REV3	BRUSH CLAMPING RING	1
6	SP01008_REV0	HEX SET SCREW M6 X 16	7
7	SP01027_REV0	HEX SET SCREW M8 X 40	3
8	SP02004_REV0	NUT M6 NYLOC	7
9	SP02006_REV0	NUT M8 NYLOC (T)	1
10	SP02012_REV0	NUT M8 LOCK (THIN)	3
11	SP03010_REV0	WASHER M6 FORM A	28
12	SP24009_REV0	BRUSH MULTI DENSE (1200 / 1500)	5

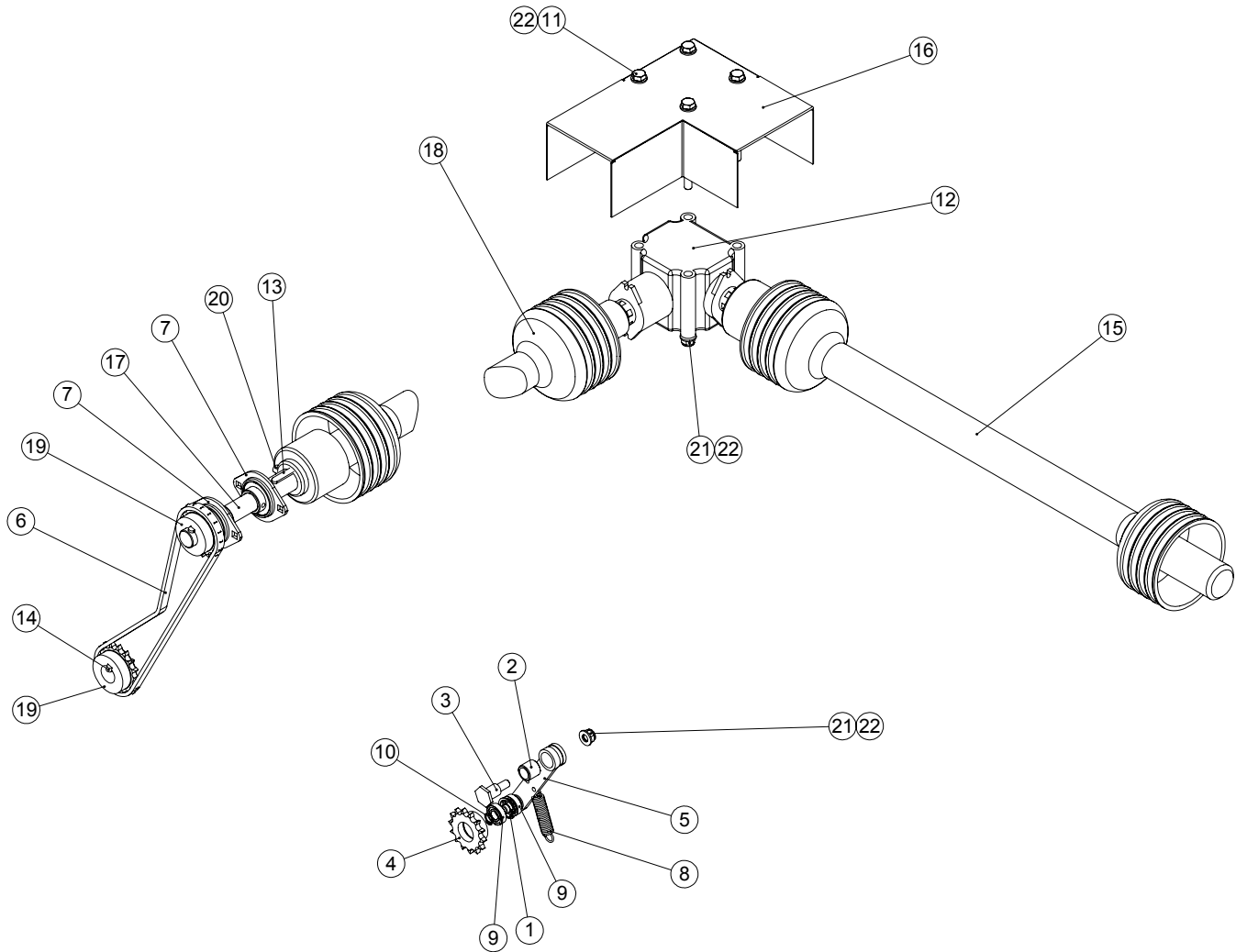
PRE-DECEMBER 2017 - BRUSH NUMBER F37706

BRUSH AND WHEEL FRAME



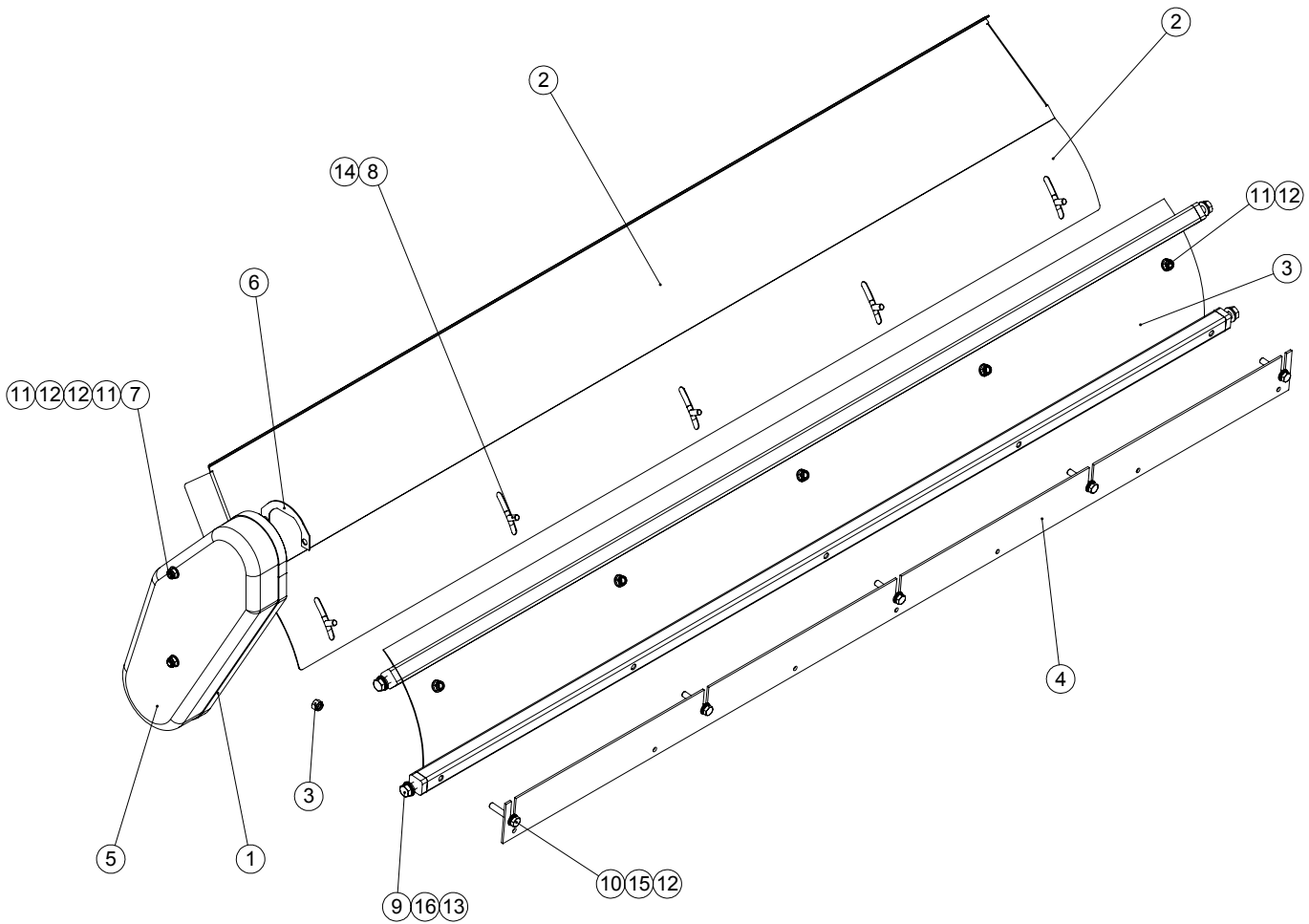
ITEM NO.	PART NUMBER	DESCRIPTION	FRAME 2/QTY.
1	400616_REV1	SIDE SUPPORT PLATE	2
2	400617_REV0	SIDE SUPPORT BRACE ASSY 1500	1
3	D1947_REV1	GREASE NIPPLE M6	2
4	D8032_REV0	BEARING BPFL5-25	2
5	D8608_REV0	TURNBUCKLE ASSEMBLY	1
6	E1-1061_REV0	WASHER M6 SPRING	2
7	E1-1119_REV0	HEX SET SCREW M10 X 35	4
8	E1-1161_REV0	HEX SET SCREW M12 X 60	2
9	E1-1203_REV1	CSK CAP HEAD M10 X 30	2
10	F21852_REV0	BUSH AF2532 - 30	4
11	F31177_REV1	COVER ASSY	1
12	F36730_REV3	SIDE PLATE ASSY BRUSH L.H.	1
13	F36731_REV5	SIDE PLATE ASSY BRUSH R.H.	1
14	F36732_REV1	LINK FRAME 1500	1
15	F36900_REV3	COVER	1
16	F36901_REV3	COVER PLATE	1
17	SP01008_REV0	HEX SET SCREW M6 X 16	2
18	SP01045_REV0	HEX SET SCREW M8 X 25	7
19	SP01105_REV0	HEX SET SCREW M10 X 30	17
20	SP01106_REV0	CSK CAP HEAD M8 X 25	2
21	SP02006_REV0	NUT M8 NYLOC (T)	9
22	SP02008_REV0	NUT M10 NYLOC (T)	22
23	SP02009_REV0	NUT M12 STD	2
24	SP02010_REV0	NUT M12 NYLOC (T)	2
25	SP02012_REV0	NUT M8 LOCK (THIN)	1
26	SP03008_REV0	WASHER M8 FORM A	15
27	SP03010_REV0	WASHER M6 FORM A	2
28	SP03011_REV0	WASHER M10 FORM A	43
29	SP03029_REV0	WASHER M8 SPRING LOCK	1

DRIVE



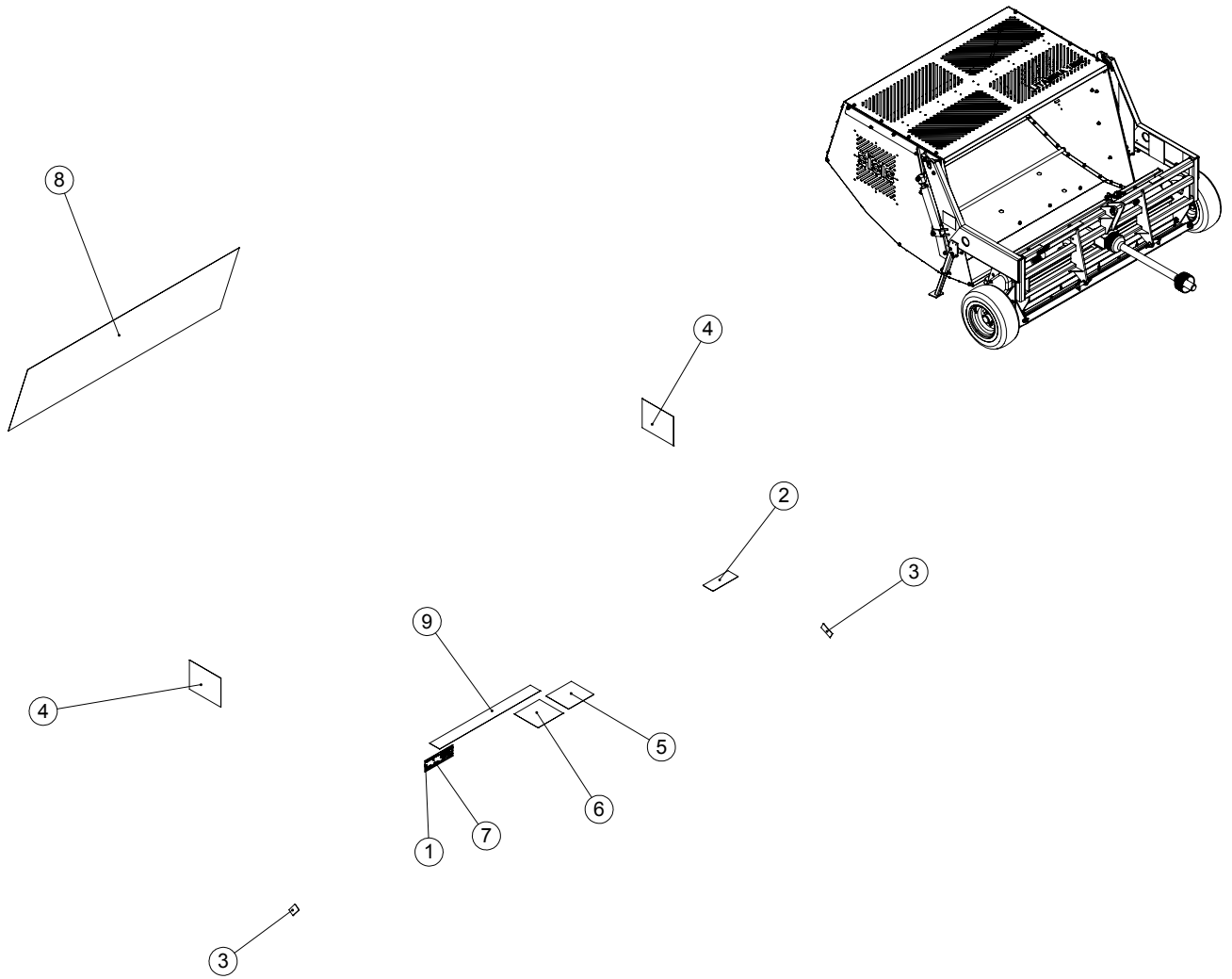
ITEM NO.	PART NUMBER	DESCRIPTION	DRIVE/QTY.
1	229829_REV1	CIRCLIP D1300 0280	1
2	229833_REV1	BUSH AL1622 - 20	1
3	D6182_REV1	TENSIONER PIVOT SHAFT	1
4	D6189_REV1	JOCKEY TENSIONER	1
5	D7979_REV1	JOCKEY TENSIONER ARM	1
6	D8007A_REV1	CHAIN	1
7	D8032_REV0	BEARING BPFL5-25	2
8	D8042_REV1	EXTENSION SPRING	1
9	D8173_REV1	BEARING 6001 2RS	2
10	D8175_REV1	CIRCLIP D1400 - 012	1
11	E1-1141_REV0	HEX SET SCREW M10 X 130	4
12	F20540_REV1	GEAR BOX	1
13	F22009_REV1	KEY 8 x 7 x 50	1
14	F22245_REV1	KEY 8 x 7 x 20	2
15	F30510_REV1	PTO SHAFT	1
16	F31187_REV6	GEAR BOX COVER	1
17	F36902_REV3	SHAFT	1
18	F36903_REV1	PTO SHAFT	1
19	F37095_REV1	SPROCKET 08B1 17T	2
20	SP01018_REV0	GRUB SCREW M10 X 16	1
21	SP02008_REV0	NUT M10 NYLOC (T)	5
22	SP03011_REV0	WASHER M10 FORM A	9

GUARDS



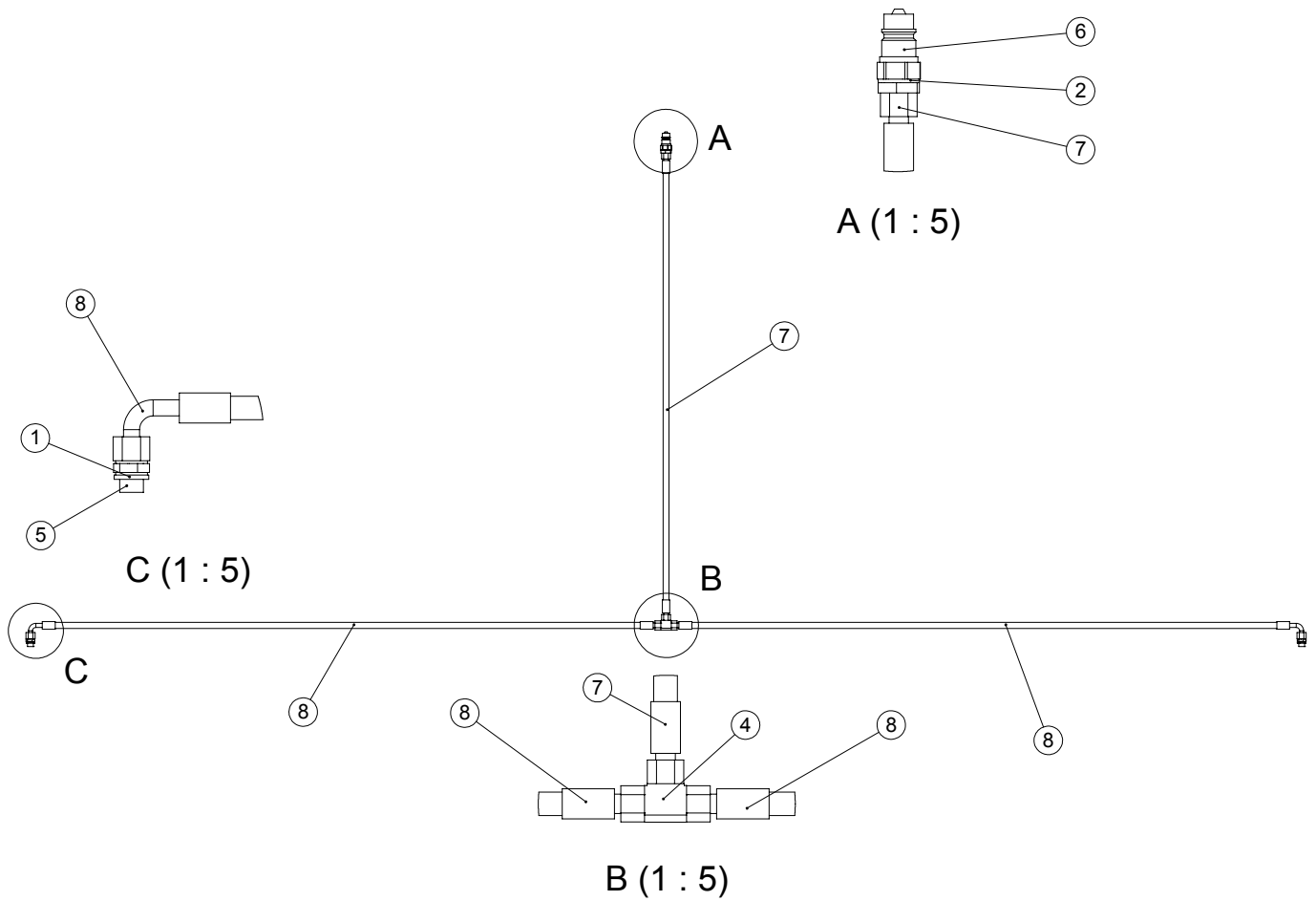
ITEM NO.	PART NUMBER	DESCRIPTION	BRUSH GUARD/QTY.
1	D3171C_REV1	U STRIP RUBBER	1
2	F36726_REV1	DEFLECTOR EXTENSION 1500	1
3	F36727_REV2	BRUSH COVER 1500	1
4	F36728_REV1	ADJUSTER PLATE 1500	1
5	F36941_REV1	GUARD	1
6	F36943_REV2	GUARD SHIELD	1
7	F36944_REV2	GUARD STUD	2
8	SP01009_REV0	HEX SET SCREW M8 X 20	5
9	SP01035_REV0	HEX SET SCREW M10 X 25	4
10	SP01113_REV0	HEX SET SCREW M8 X 45	5
11	SP02006_REV0	NUT M8 NYLOC (T)	9
12	SP03008_REV0	WASHER M8 FORM A	14
13	SP03011_REV0	WASHER M10 FORM A	4
14	SP03015_REV0	WASHER M8 FORM C	5
15	SP03029_REV0	WASHER M8 SPRING LOCK	5
16	SP03034_REV0	WASHER M10 SPRING LOCK	4

DECALS



ITEM NO.	PART NUMBER	DESCRIPTION	DECALS/QTY.
1	D1871_REV1	RIVET 3.2 X 6	2
2	D4121_REV1	TRANSFER WARNING	1
3	D6966_REV1	TRANSFER	2
4	F33356_REV1	TRANSFER	2
5	F34045_REV1	TRANSFER	1
6	F34052_REV1	TRANSFER	1
7	F36000_REV2	SERIAL NO PLATE (SISIS)	1
8	F36789_REV1	DECAL	1
9	F36790_REV1	DECAL	1

HYDRAULICS FOR1200 + 1500



ITEM NO.	PART NUMBER	DESCRIPTION	HYDRAULICS/QTY.
1	D8227_REV1	DOWTY SEAL 3/8" BSP (21/32" BORE)	2
2	D8385_REV1	DOWTY SEAL 1/2 INCHES	1
3	D8878_REV1	1/2" M TO 3/8" M BSP ADAPTOR	1
4	F20793_REV1	3/8" BSP MALE BRANCH TEE	1
5	F22076_REV1	3/8" BSP 2MM RESTRICTOR	2
6	F22390_REV1	Q/R MALE COUPLING	1
7	F33306_REV1	HOSE 3/8" FEMALE STRAIGHT BOTH ENDS 1300 LG	1
8	F34493_REV1	HOSE 3/8" FEMALE STRAIGHT TO 3/8" ELBOW 1750 LG	2



sisis®

SISIS, Ashbourne Road, Kirk Langley, Derbyshire, DE6 4NJ, England

**Tel: +44 (0) 1332 824 777
Fax: +44 (0) 1332 824 525**

Email: info@sisis.com

www.sisis.com

A division of Howardson Ltd – a proudly British company
Company reg No: 641526 – Vat No GB 345 9918 12