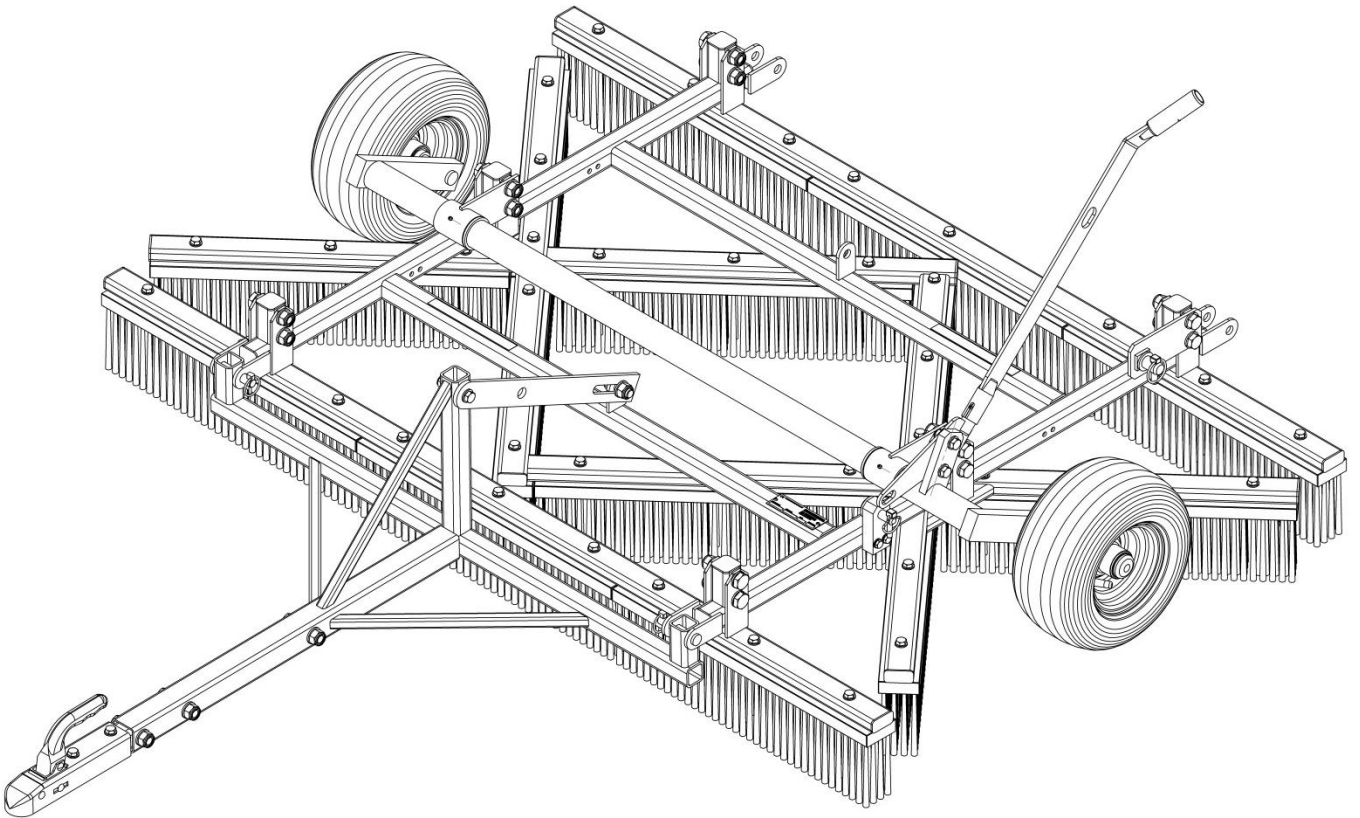


sisis®

VARIBRUSH INSTRUCTION MANUAL



Variseeder 1300 CN Code: 84323011

Manufacturer:- Howardson Ltd, Howardson Works, Kirk Langley, Derby, DE6 4NJ. UK

Owner of Technical Document:- Mr I.D. Howard, Howardson Ltd, Howardson Works Kirk Langley, Derby, DE6 4NJ, UK

Managing Director



Ian Howard

SERIAL NUMBERS



NOTE:-

MAKE A NOTE OF THE SERIAL NUMBER OF YOUR MACHINE AND ALWAYS QUOTE IT IN ANY COMMUNICATION WITH PERSONNEL AT DENNIS.

MACHINE SERIAL NUMBER

INTRODUCTION

The reliability and quality of performance of the **SISIS VARIBRUSH** depends upon some simple care maintenance carried out regularly. This manual has been prepared to allow the user to carry out all such work.

It is advisable to read the instructions carefully. Proper care and attention will enable the machine to give a continuous, satisfactory, and reliable service. Failure to carry out regular lubrication and maintenance as outlined in this manual may render any guarantee or warranty invalid.

In the case of any difficulty, or if further information or advice is required, our Service Department is always at your call. In the interests of speed and accuracy of information please quote the serial numbers of the machine and engine when making enquiries.

For the machine, this is to be found on a plate attached to the side frame. The engine number is stamped on either the crank case or the gear casing facing towards the front of the machine. We suggest you write the numbers on the front page of this book.

	Page
Declaration of Conformity.....	2
Serial Numbers.....	2
Introduction.....	2
Technical Data.....	3
Important Safety Instructions.....	3
Operating Instructions.....	4 - 5
Parts Listings.....	P0 – P5

TECHNICAL DATA

MODEL	VARIBRUSH
WIDTH (mm)	1924
LENGTH (mm)	2370
HEIGHT (mm)	850
NUMBER OF BRUSH SECTIONS	14
WEIGHT (Kg)	125
WORKING WIDTH (mm)	1924

IMPORTANT SAFETY INSTRUCTIONS



CAUTION:-

READ THE INSTRUCTIONS. We want you to obtain the best performances from this machine. If you have any difficulty in carrying out the following instructions please contact your local SISIS dealer.

NEVER

- Carry out adjustments whilst the machine is moving.
- Allow any unauthorised person to handle machines in any way at any time.
- Lift or carry a machine whilst any parts are moving

ALWAYS

- Read the operating instructions carefully and understand the controls before commencing work.
- Before starting work always visually check machine for damage or wear to parts.
- Use safety guards and make sure they are correctly positioned. They are supplied for your safety.
- Look behind before starting to reverse and watch out for children or pedestrians.
- Switch off the power before making adjustments or repairs and never lift or carry a machine whilst any parts are moving.

We want you to obtain the best performance from this implement. If, after reading the following instructions you have any problems, please contact us or your local SISIS Territory Manager or SISIS Dealer.

DESCRIPTION

The SISIS VARIBRUSH has been designed for fast, effective brushing on natural or synthetic turf. The multiple brushing action allows the required treatment to be carried out with fewer passes, therefore reducing compaction.

The SISIS VARIBRUSH can be used to brush top dressings into natural or synthetic turf surfaces; to lift the grasses prior to mowing for a better cut; dew dispersal; to give a striped effect on natural turf for improved presentation.

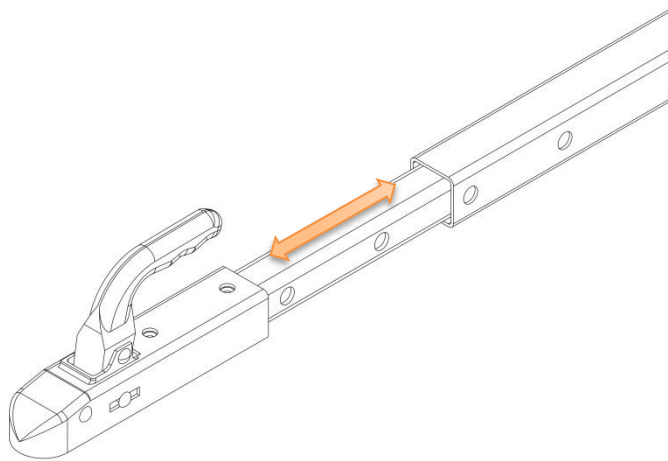
The VARIBRUSH is easy to handle and to attach, and can be used on a wide variety of vehicles including; Tractors, Trucksters, Utility Vehicles, Kawasaki Mule, even Golf Cars and Bunker Rakes.

Three versions are available:

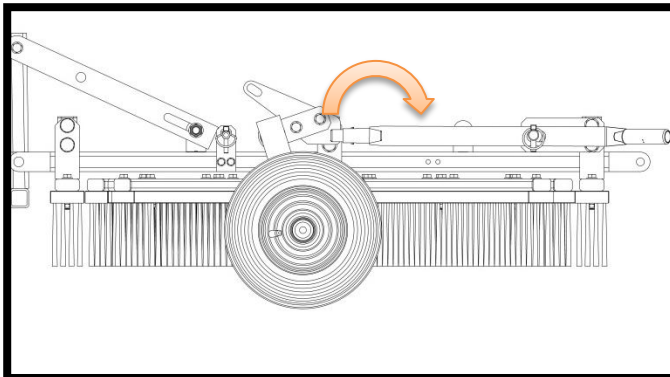
- 3 point mounted for tractors and trucksters.
- Manual lift.
- Hydraulic or Electric lift.

The VARIBRUSH can be fitted with a; Ball Hitch, Pin Hitch or Jaw Type Hitch.

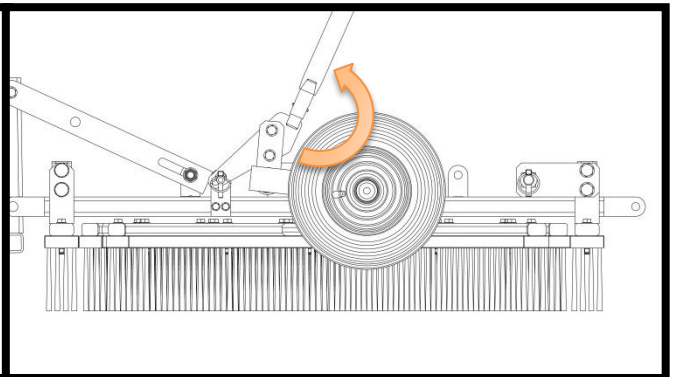
The Drawbar is adjustable for towing height and length. See below.



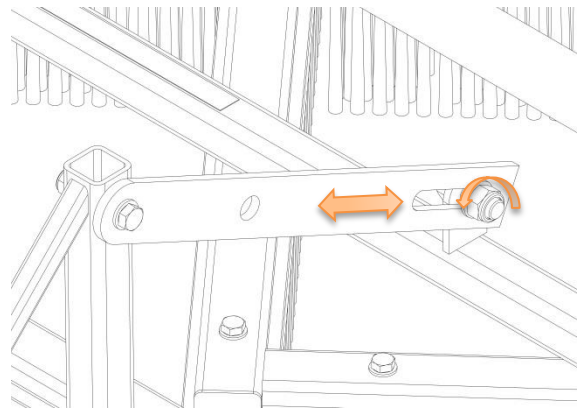
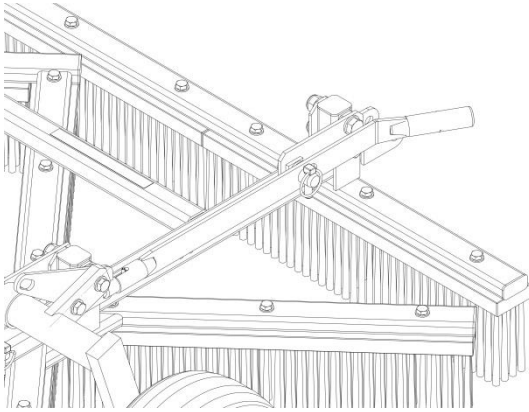
Transport Position



Working Position



When the VARIBRUSH is in the transport position, the lift handle needs to be stored as illustrated below left.



The angle of the brush can be altered using the adjusting stop shown above right. If the brush is not running smoothly the angle has to be altered to be parallel with the surface.

Electric Model

This model can be connected via the crocodile clips provided to the battery terminal or if preferred a 12 Volt power supply can be obtained from the cigarette lighter or a 7 pin plug on the rear of the tractor.

Use the rocker switch on the electric box to raise and lower the brush into the work position.

<u>Possible Combinations</u>	
Towing Type	Wheel Frame
Eye hitch kit	Actuator operated kit FS1027
Eye hitch kit	Manually operated kit FS1025
Ball hitch kit	Actuator operated kit FS1027
Ball hitch kit	Manually operated kit FS1025
3 Point Linkage	Mounted Kit FS1029

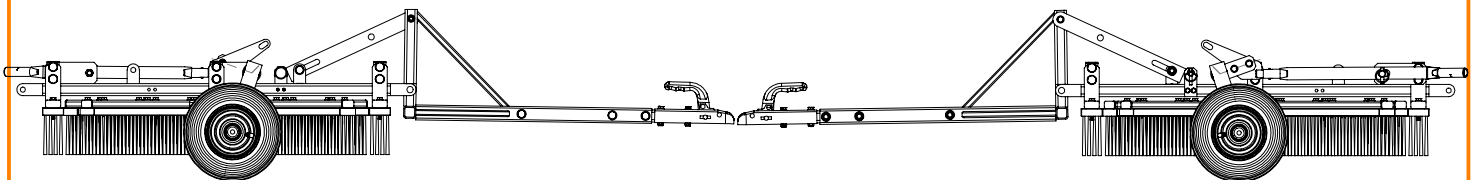
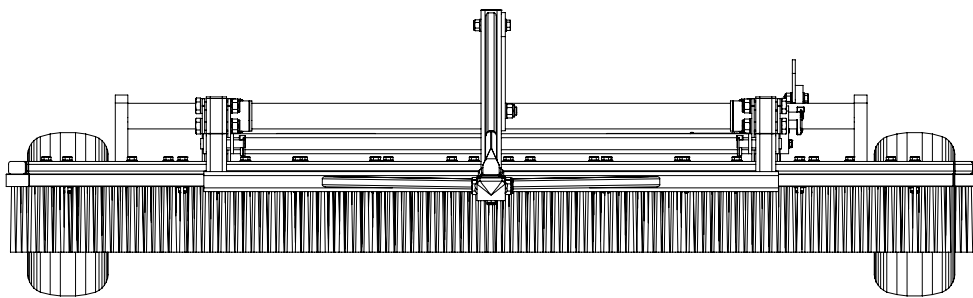
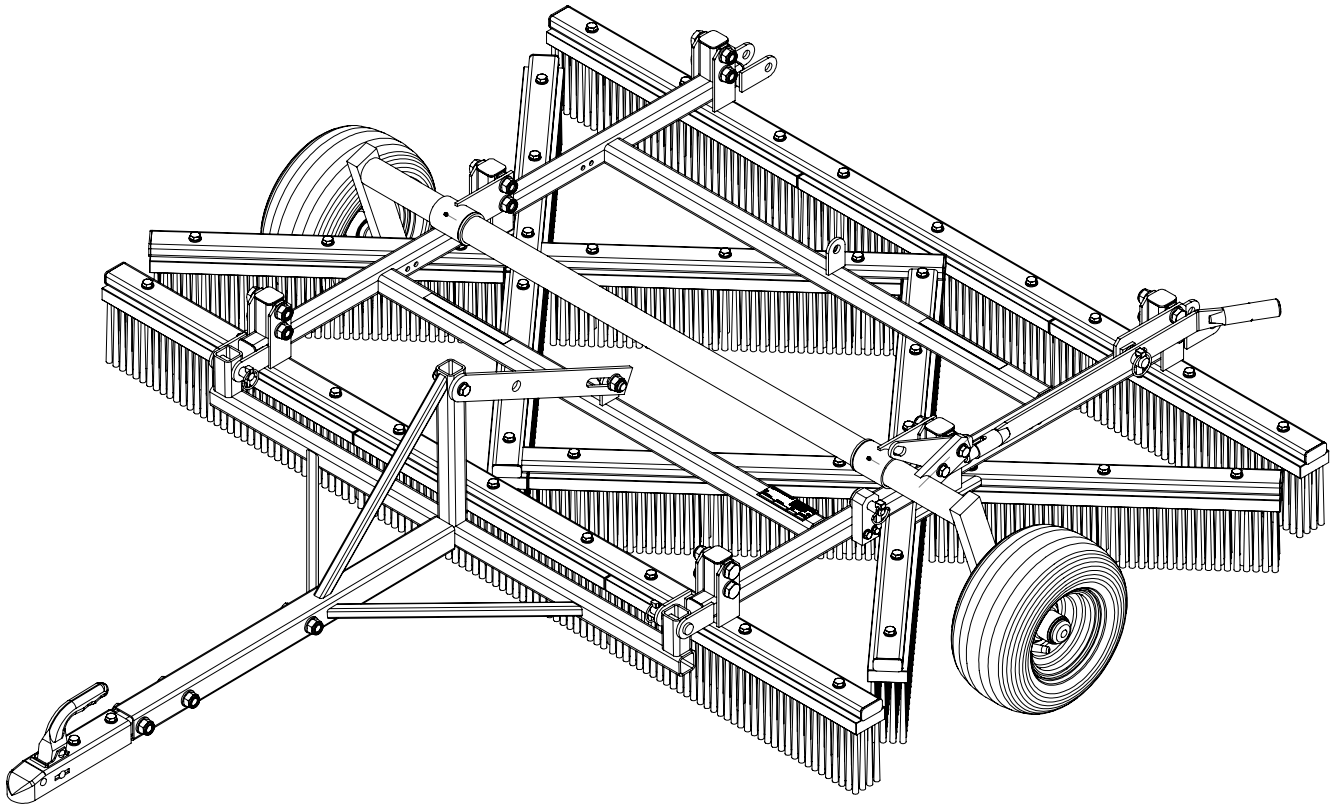
Brush Options

D1520 - BRUSH 60CM SECTION

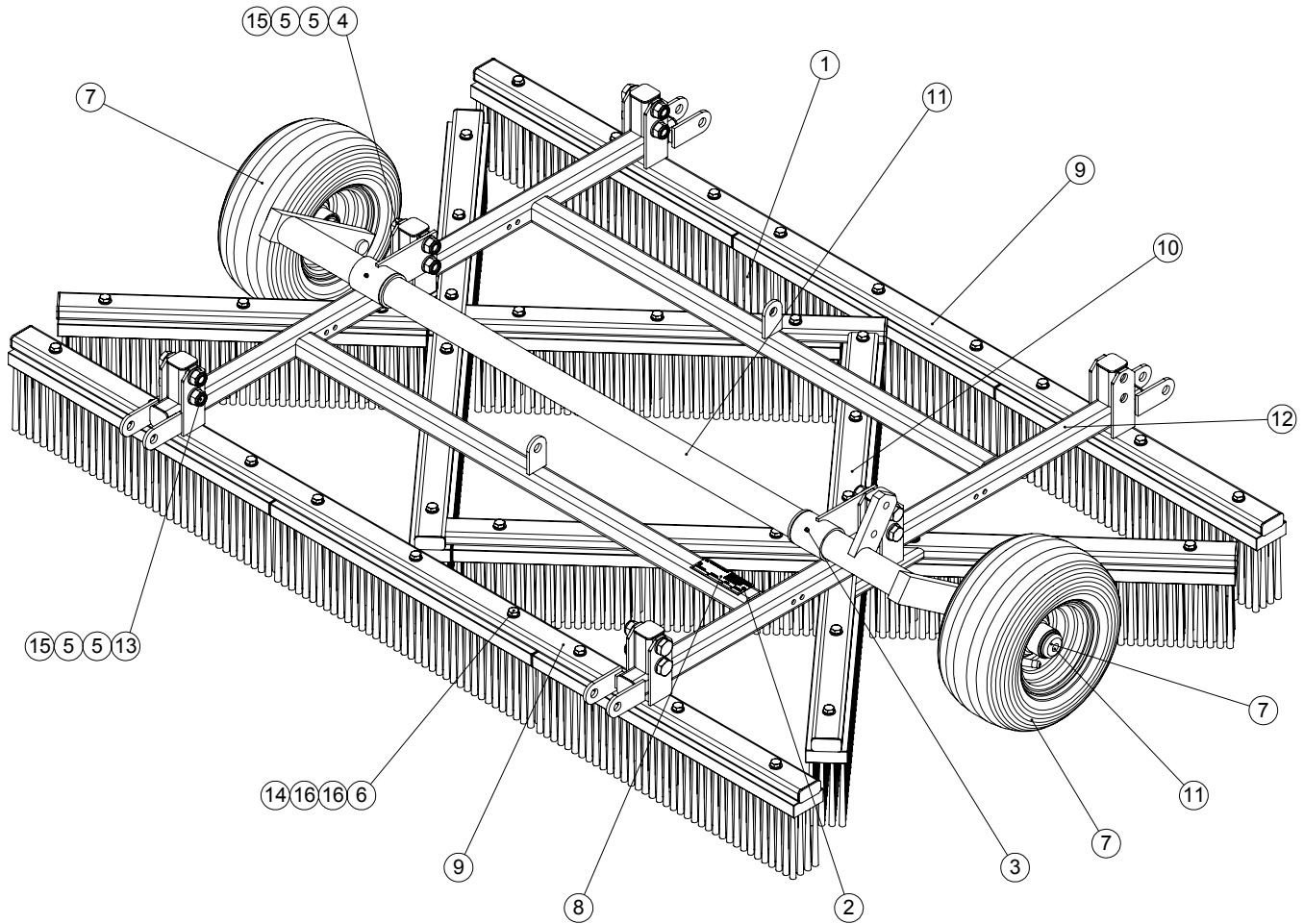


SP24006 – BRUSH 60CM SYNTHETIC



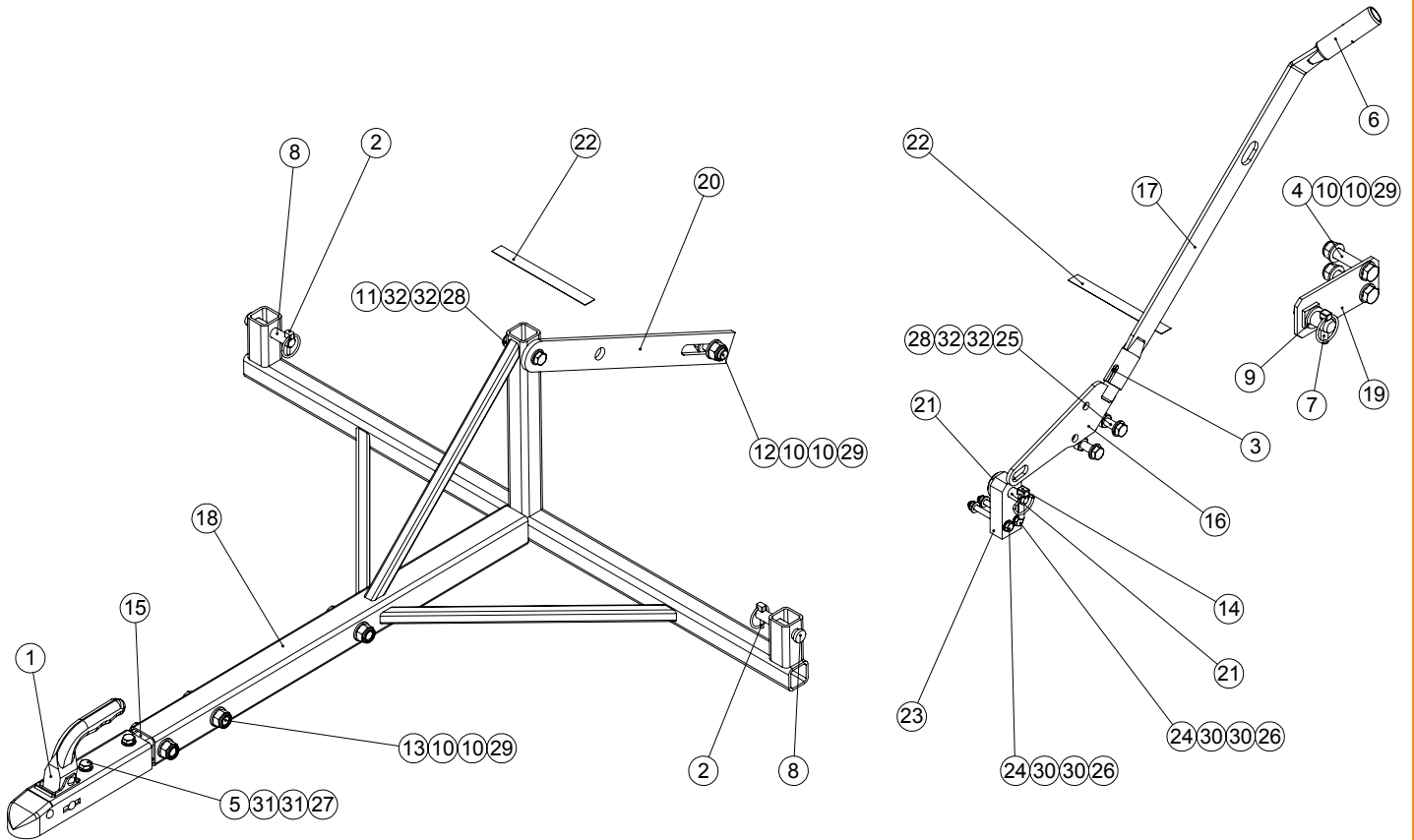


VARIBRUSH FRAME - 800235



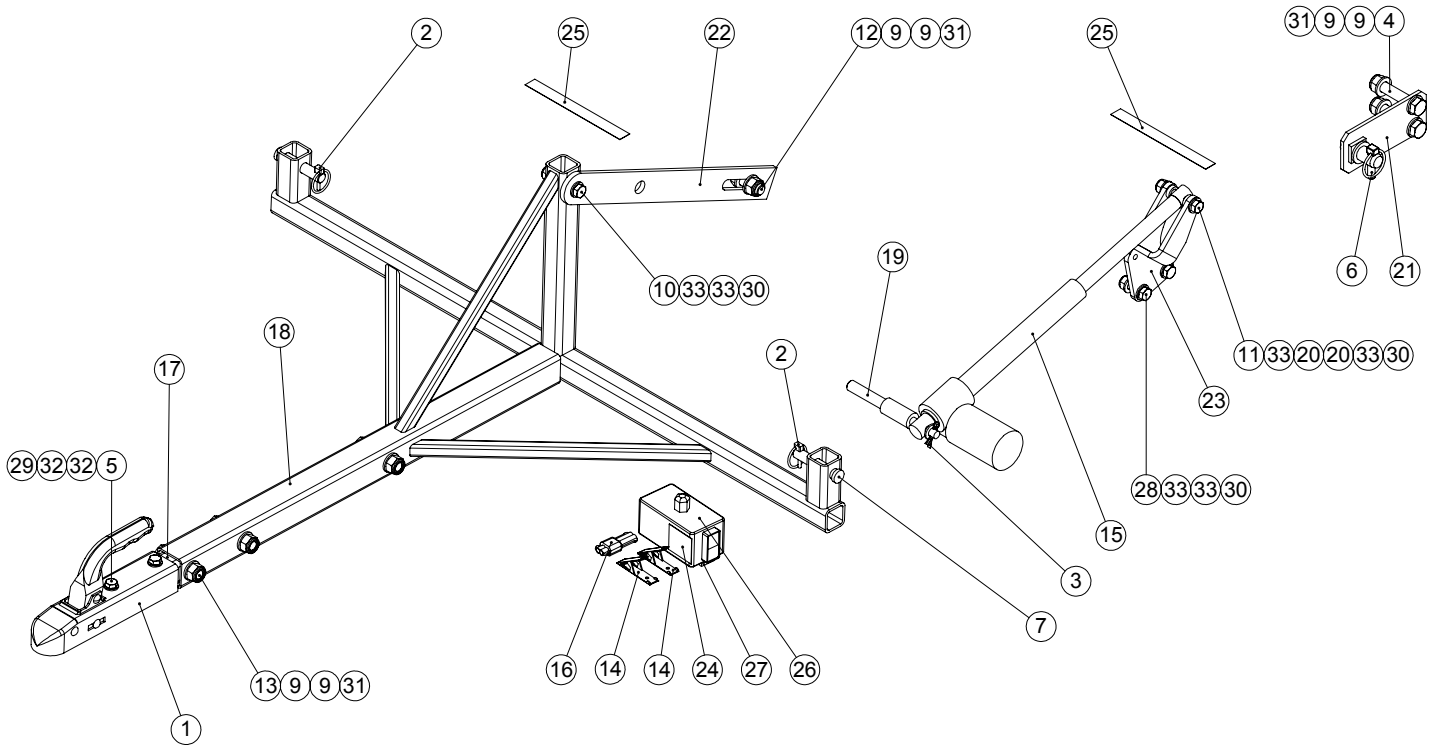
ITEM NO.	PART NUMBER	DESCRIPTION	QTY.
1	D1520_REV4	BRUSH 60cm BLACK	14
2	D1871_REV1	RIVET 3.2 X 6	2
3	D1947_REV1	GREASE NIPPLE M6	2
4	D1956_REV0	HEX BOLT M16 X 80	4
5	E1-1080_REV0	WASHER M16 FORM A	20
6	E1-1130_REV0	HEX BOLT M10 X 65	42
7	F21940_REV0	WHEEL , TYRE & HUB CAP	2
8	F36000_REV2	SERIAL NO PLATE (SISIS)	1
9	F36592_REV2	BRUSH FRAME OUTER ASSY	2
10	F36593_REV2	BRUSH FRAME VARIBRUSH	1
11	F36594_REV1	WHEEL FRAME	1
12	F36605_REV3	MOUNTING FRAME	1
13	SP01116_REV0	HEX BOLT M16 X 75	6
14	SP02008_REV0	NUT M10 NYLOC (T)	42
15	SP02028_REV0	NUT M16 NYLOC (T)	10
16	SP03011_REV0	WASHER M10 FORM A	84

VARIBRUSH - WITH MANUAL LIFT TOWING FRAME + BALL HITCH - FS1024



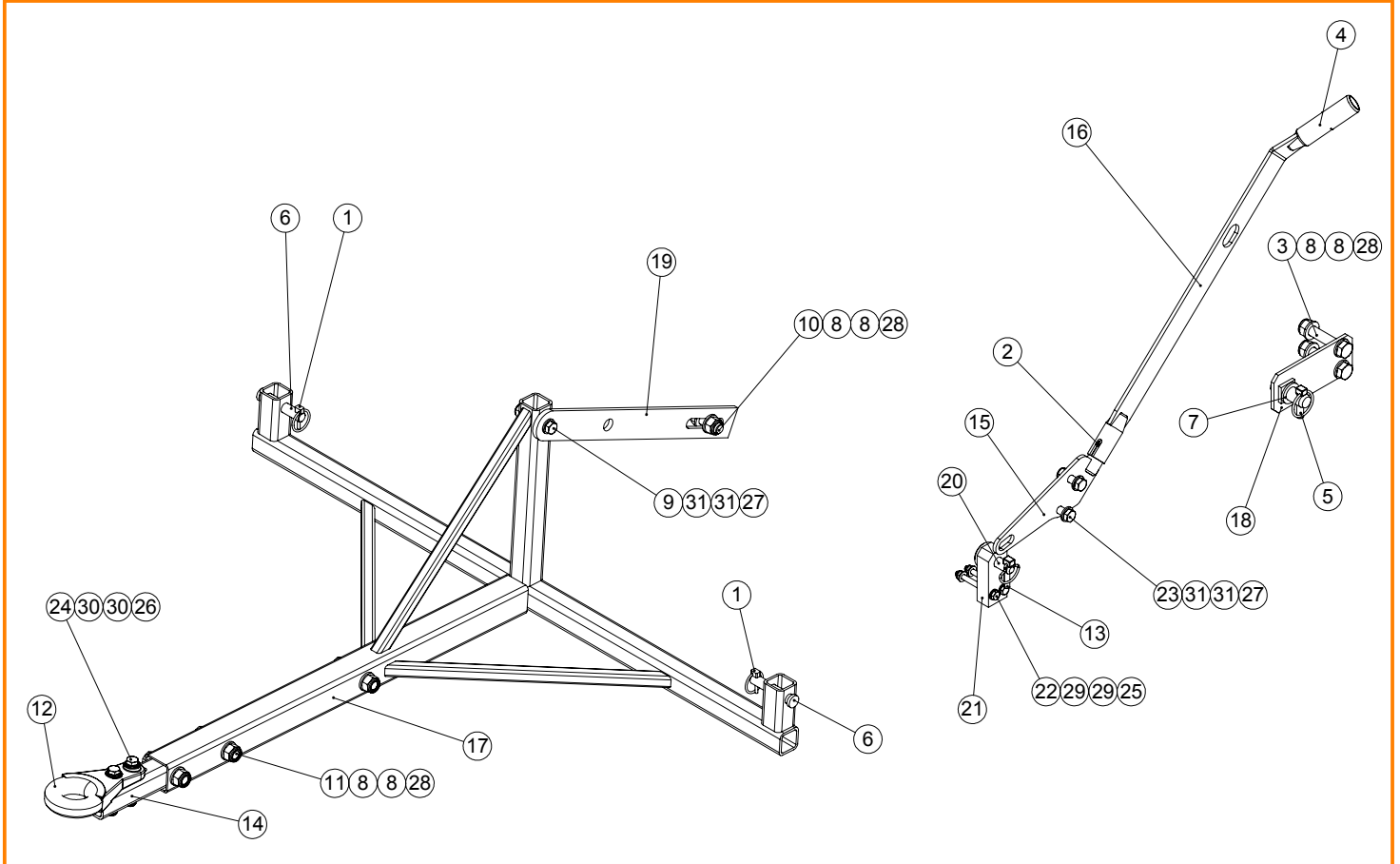
ITEM NO.	PART NUMBER	DESCRIPTION	MANUAL DRAWING/QTY.
1	210772_REV0	DRAWBAR COUPLING 50MM BALL	1
2	228071_REV1	PIN LINCH 89410	2
3	603174_REV1	PIN SPIROL M5 X 35	1
4	D1956_REV0	HEX BOLT M16 X 80	2
5	D8229_REV0	HEX SET SCREW M10 X 55	2
6	D8256_REV1	FOAM HANDLE GRIP	1
7	D8326_REV1	PIN LINCH 7/16"	1
8	D8749_REV1	CLEVIS PIN 5/8" X 3 3/16"	2
9	D8750_REV1	BRACKET PIN ASSY	1
10	E1-1080_REV0	WASHER M16 FORM A	12
11	E1-1162	HEX BOLT M12 X 65	1
12	E1-1175_REV0	HEX SET SCREW M16 X 40	1
13	E1-1578_REV0	HEX BOLT M16 X 70	3
14	F21090_REV1	PIN LINCH 9MM	1
15	F36566_REV1	INNER DRAWBAR	1
16	F36568_REV2	HANDLE BRACKET ASSY	1
17	F36569_REV1	HANDLE ASSY	1
18	F36595_REV1	OUTER DRAWBAR	1
19	F36604_REV1	PIN BRACKET	1
20	F36607_REV1	STAY ROD	1
21	F36609_REV1	PIN	1
22	F36613_REV1	LABEL VARIBRUSH	2
23	F36614_REV1	PAD	1
24	SP01024_REV0	HEX SET SCREW M8 X 80	2
25	SP01078_REV0	HEX SET SCREW M12 X 40	2
26	SP02006_REV0	NUT M8 NYLOC (T)	2
27	SP02008_REV0	NUT M10 NYLOC (T)	2
28	SP02010_REV0	NUT M12 NYLOC (T)	3
29	SP02028_REV0	NUT M16 NYLOC (T)	6
30	SP03008_REV0	WASHER M8 FORM A	4
31	SP03011_REV0	WASHER M10 FORM A	4
32	SP03012_REV0	WASHER M12 FORM A	6

VARIBRUSH - WITH ELECTRIC LIFT TOWING FRAME + BALL HITCH - FS1027



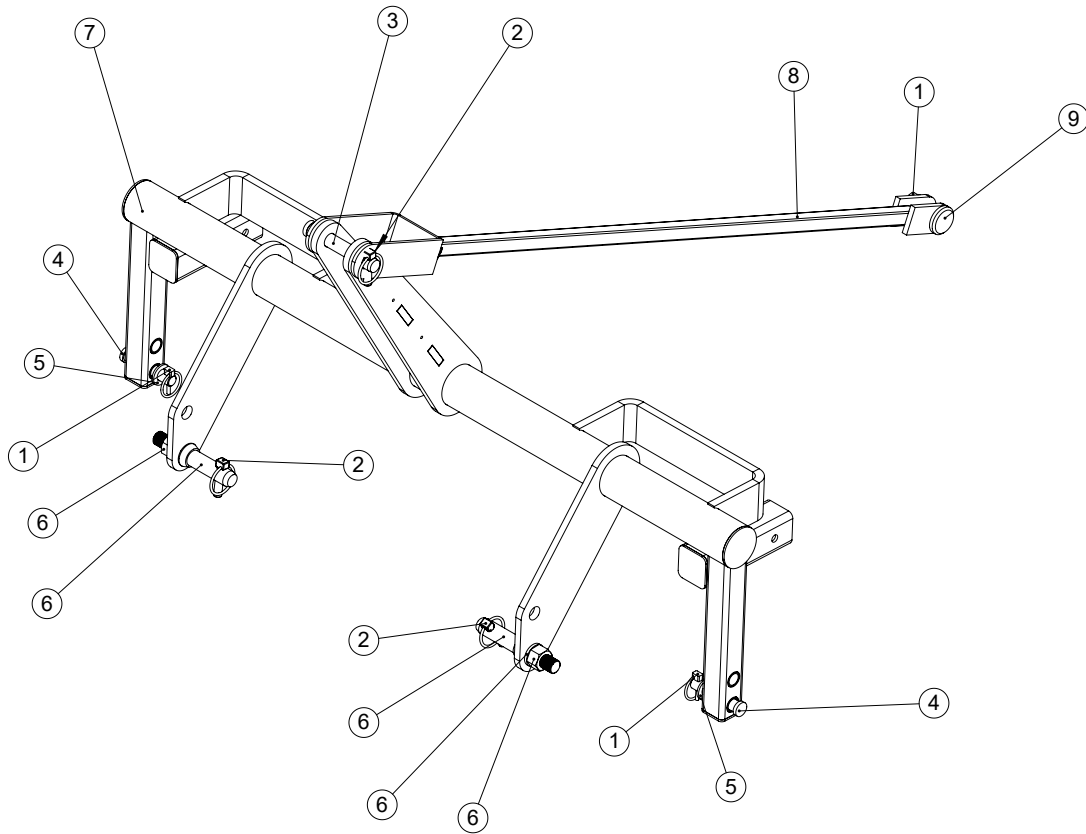
ITEM NO.	PART NUMBER	DESCRIPTION	MANUAL DRAWING/QTY.
1	210772_REV0	DRAWBAR COUPLING 50MM BALL	1
2	228071_REV1	PIN LINCH 89410	2
3	D1917_REV0	3/16" X 1" SPLIT PIN	1
4	D1956_REV0	HEX BOLT M16 X 80	2
5	D8229_REV0	HEX SET SCREW M10 X 55	2
6	D8326_REV1	PIN LINCH 7/16"	1
7	D8749_REV1	CLEVIS PIN 5/8" X 3 3/16"	2
8	D8750_REV1	BRACKET PIN ASSY	1
9	E1-1080_REV0	WASHER M16 FORM A	12
10	E1-1162	HEX BOLT M12 X 65	1
11	E1-1164_REV0	HEX BOLT M12 X 70	1
12	E1-1175_REV0	HEX SET SCREW M16 X 40	1
13	E1-1578_REV0	HEX BOLT M16 X 70	3
14	F21188_REV1	CROCODILE CLIP	2
15	F21959_REV1	LINEAR ACTUATOR	1
16	F22000_REV1	FEMALE BOX	1
17	F36566_REV1	INNER DRAWBAR	1
18	F36595_REV1	OUTER DRAWBAR	1
19	F36596_REV1	RAM/ACTUATOR PIN	1
20	F36598_REV1	SPACER	2
21	F36604_REV1	PIN BRACKET	1
22	F36607_REV1	STAY ROD	1
23	F36610_REV1	RAM BRACKET	1
24	F36612_REV1	LABEL UP/DOWN	1
25	F36613_REV1	LABEL VARIBRUSH	2
26	F36927_REV1	SWITCH BOX AND CABLE	1
27	HUHD118_REV1	MAGNET	2
28	SP01078_REV0	HEX SET SCREW M12 X 40	2
29	SP02008_REV0	NUT M10 NYLOC (T)	2
30	SP02010_REV0	NUT M12 NYLOC (T)	4
31	SP02028_REV0	NUT M16 NYLOC (T)	6
32	SP03011_REV0	WASHER M10 FORM A	4
33	SP03012_REV0	WASHER M12 FORM A	9

VARIBRUSH - WITH MANUAL LIFT TOWING FRAME + EYE COUPLING - FS1028



ITEM NO.	PART NUMBER	DESCRIPTION	Manual Drawing/QTY.
1	228071_REV1	PIN LINCH 89410	2
2	603174_REV1	PIN SPIROL M5 X 35	1
3	D1956_REV0	HEX BOLT M16 X 80	2
4	D8256_REV1	FOAM HANDLE GRIP	1
5	D8326_REV1	PIN LINCH 7/16"	1
6	D8749_REV1	CLEVIS PIN 5/8" X 3 3/16"	2
7	D8750_REV1	BRACKET PIN ASSY	1
8	E1-1080_REV0	WASHER M16 FORM A	12
9	E1-1162	HEX BOLT M12 X 65	1
10	E1-1175_REV0	HEX SET SCREW M16 X 40	1
11	E1-1578_REV0	HEX BOLT M16 X 70	3
12	F20297_REV1	EYE COUPLING	1
13	F21090_REV1	PIN LINCH 9MM	1
14	F36566_REV1	INNER DRAWBAR	1
15	F36568_REV2	HANDLE BRACKET ASSY	1
16	F36569_REV1	HANDLE ASSY	1
17	F36595_REV1	OUTER DRAWBAR	1
18	F36604_REV1	PIN BRACKET	1
19	F36607_REV1	STAY ROD	1
20	F36609_REV1	PIN	1
21	F36614_REV1	PAD	1
22	SP01024_REV0	HEX SET SCREW M8 X 80	2
23	SP01078_REV0	HEX SET SCREW M12 X 40	2
24	SP01119_REV0	HEX BOLT M10 X 75 (8.8 HT)	2
25	SP02006_REV0	NUT M8 NYLOC (T)	2
26	SP02008_REV0	NUT M10 NYLOC (T)	2
27	SP02010_REV0	NUT M12 NYLOC (T)	3
28	SP02028_REV0	NUT M16 NYLOC (T)	6
29	SP03008_REV0	WASHER M8 FORM A	4
30	SP03011_REV0	WASHER M10 FORM A	4
31	SP03012_REV0	WASHER M12 FORM A	6

VARIBRUSH - WITH 3 POINT LINKAGE MOUNTING FRAME - FS1029



NOTE: WHEELS NOT SUPPLIED WITH THIS METHOD OF ATTACHMENT

ITEM NO.	PART NUMBER	DESCRIPTION	QTY.
1	228071_REV1	PIN LINCH 89410	3
2	D8326_REV1	PIN LINCH 7/16"	3
3	D8617_REV1	TOP LINK PIN 3/4"	1
4	D8749_REV1	CLEVIS PIN 5/8" X 3 3/16"	2
5	E1-1080_REV0	WASHER M16 FORM A	2
6	F20327_REV0	IMPLEMENT MOUNTING PIN	2
7	F32146_REV3	IMP ATT FRAME	1
8	F36606_REV1	TIE BAR	1
9	F36609_REV1	PIN	1



sisis®

SISIS, Ashbourne Road, Kirk Langley, Derbyshire, DE6 4NJ, England

**Tel: +44 (0) 1332 824 777
Fax: +44 (0) 1332 824 525**

Email: info@sisis.com

www.sisis.com

A division of Howardson Ltd – a proudly British company
Company reg No: 641526 – Vat No GB 345 9918 12