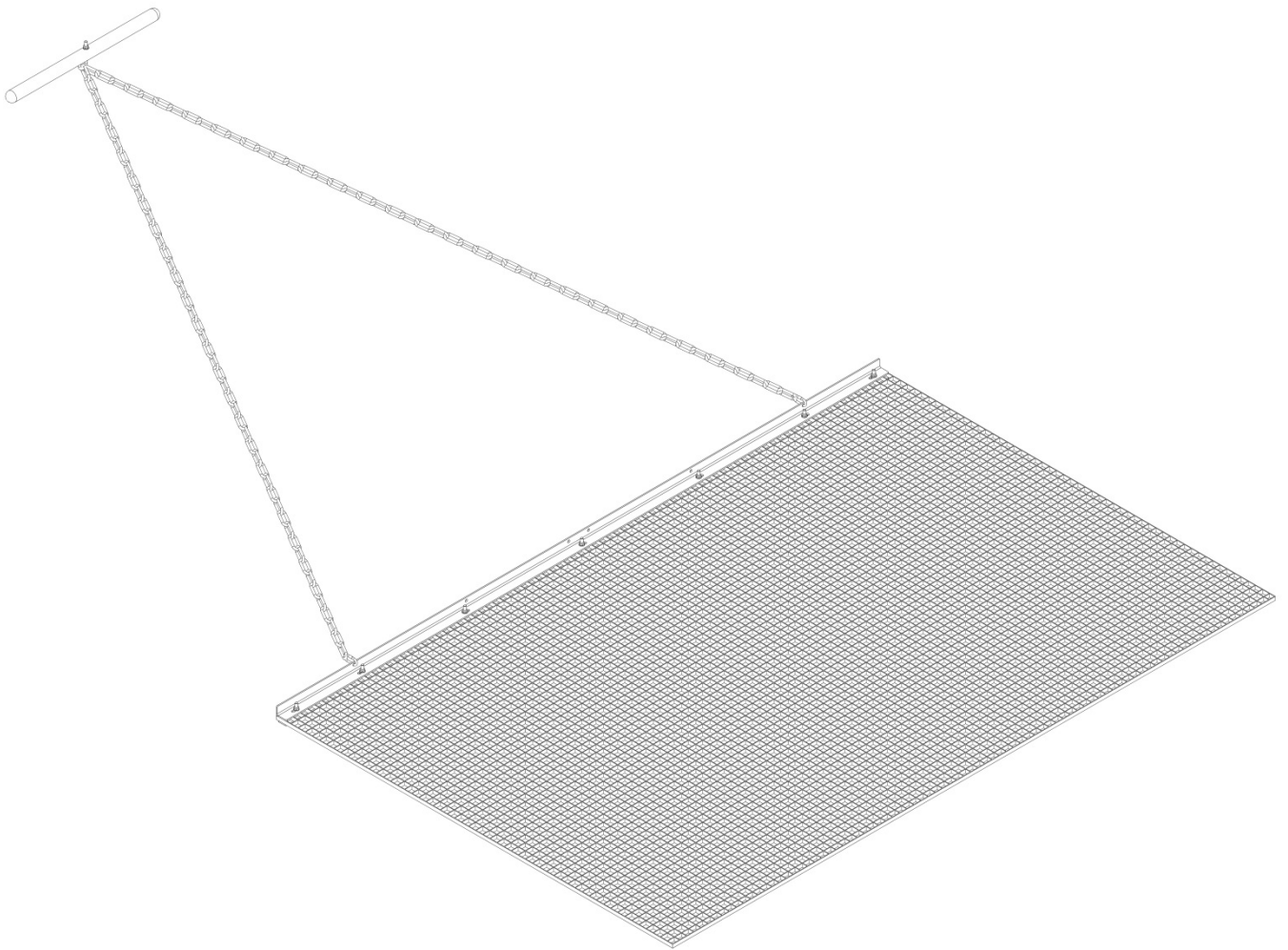


sisis[®]

DRAGMATS: 1360, 1800, 2700 INSTRUCTION MANUAL



The SISIS DRAGMATS are virtually maintenance free , all parts can be replaced should they become worn.

It is advisable to read the instructions carefully. Proper care and attention will enable the machine to give a continuous, satisfactory and reliable service.

In the case of any difficulty, or if further information or advice is required, our Service Department is always at your call.

CONTENTS

	Page
Introduction.....	2
Technical Data.....	2
Operating instructions.....	3
Parts Listings.....	P0 – P3

TECHNICAL DATA

MODEL: 1360 – FS1036 – Hand Pulled	
MAT WIDTH (mm) (working width)	1370mm
MAT LENGTH (mm)	1200mm
APPROXIMATE HEIGHT (mm)	100mm
APPROXIMATE LENGTH	2700mm
WEIGHT (Kg)	22.5kg
MODEL: 1800 – FS1242 – Hand Pulled / Towed	
MAT WIDTH (mm) (working width)	1825mm
MAT LENGTH (mm)	1200mm
APPROXIMATE HEIGHT (mm)	100mm
APPROXIMATE LENGTH	2700mm
WEIGHT (Kg)	29kg
MODEL: 2700 – FS1037 - Towed	
MAT WIDTH (mm) (working width)	2740mm
MAT LENGTH (mm)	1200mm
APPROXIMATE HEIGHT (mm)	100mm
APPROXIMATE LENGTH	2520mm
WEIGHT (Kg)	46kg



CAUTION – *READ THESE OPERATING INSTRUCTIONS CAREFULLY BEFORE COMMENCING WORK.*

We want you to obtain the best performance from this machine. If you have any difficulty in carrying out the following instructions please contact SISIS direct or your local SISIS Territory Manager or SISIS Dealer.

The SISIS Dragmat is designed for rubbing in surface dressings on artificial surfaces and also assists with routine surface renovation.

OPERATION

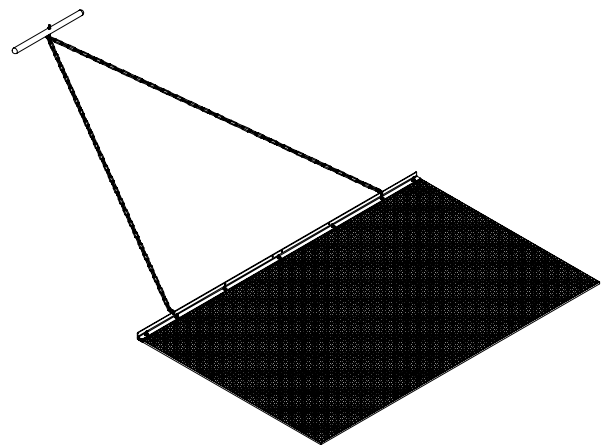
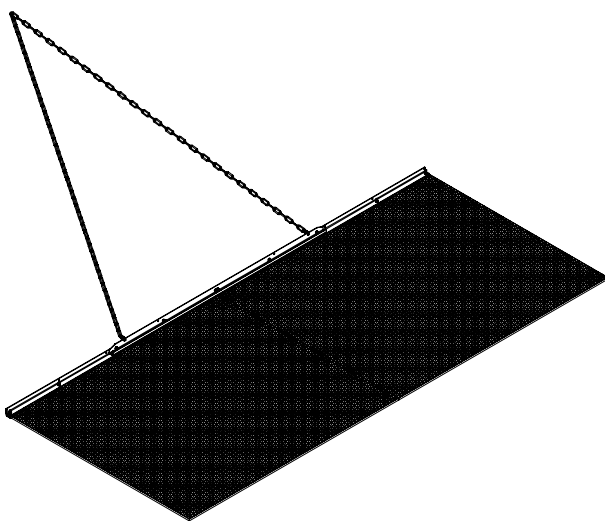
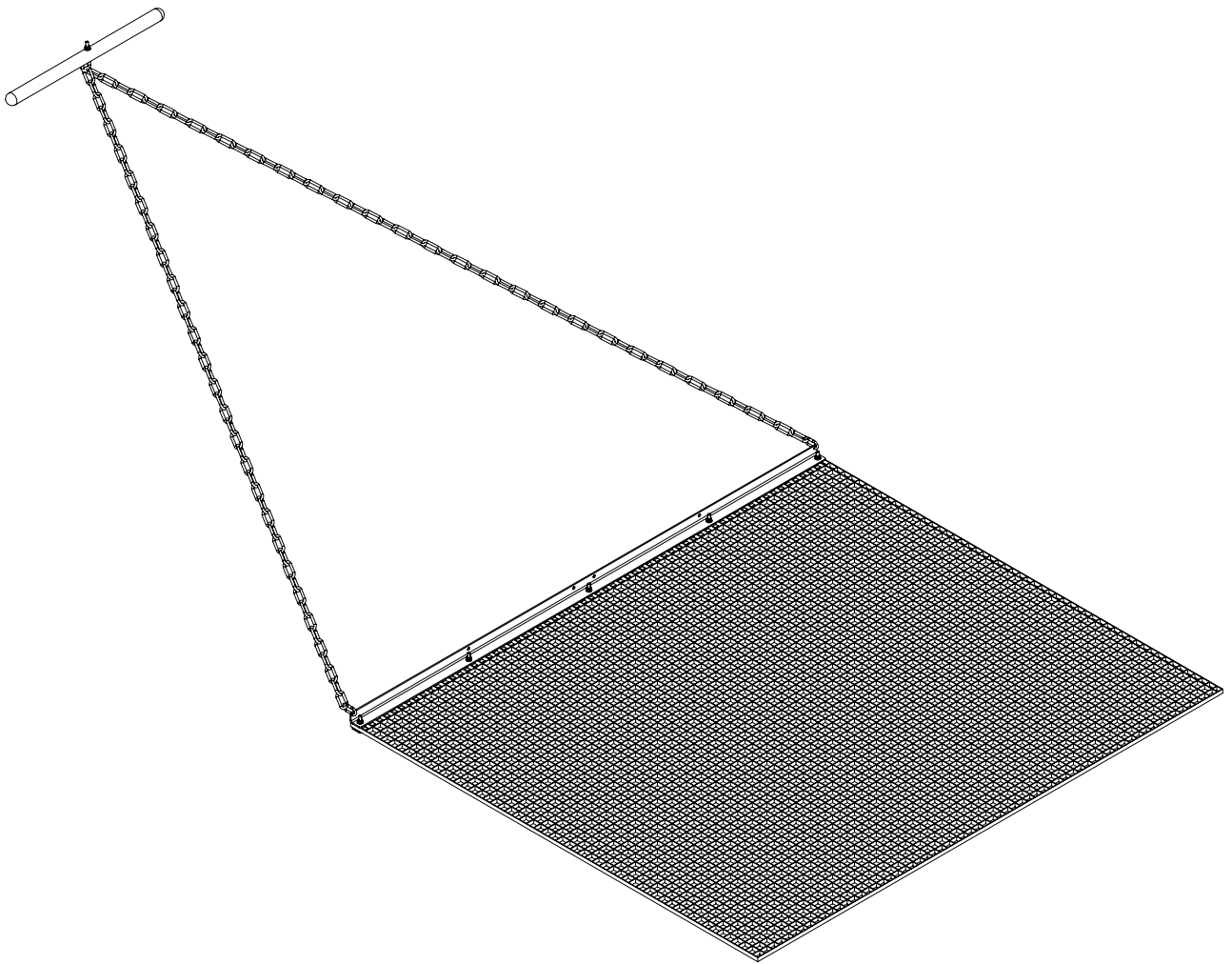
The Dragmat is very simple to operate.

- Drag the dragmat behind you or a tractor (model dependant) to distribute the synthetic surface infill.

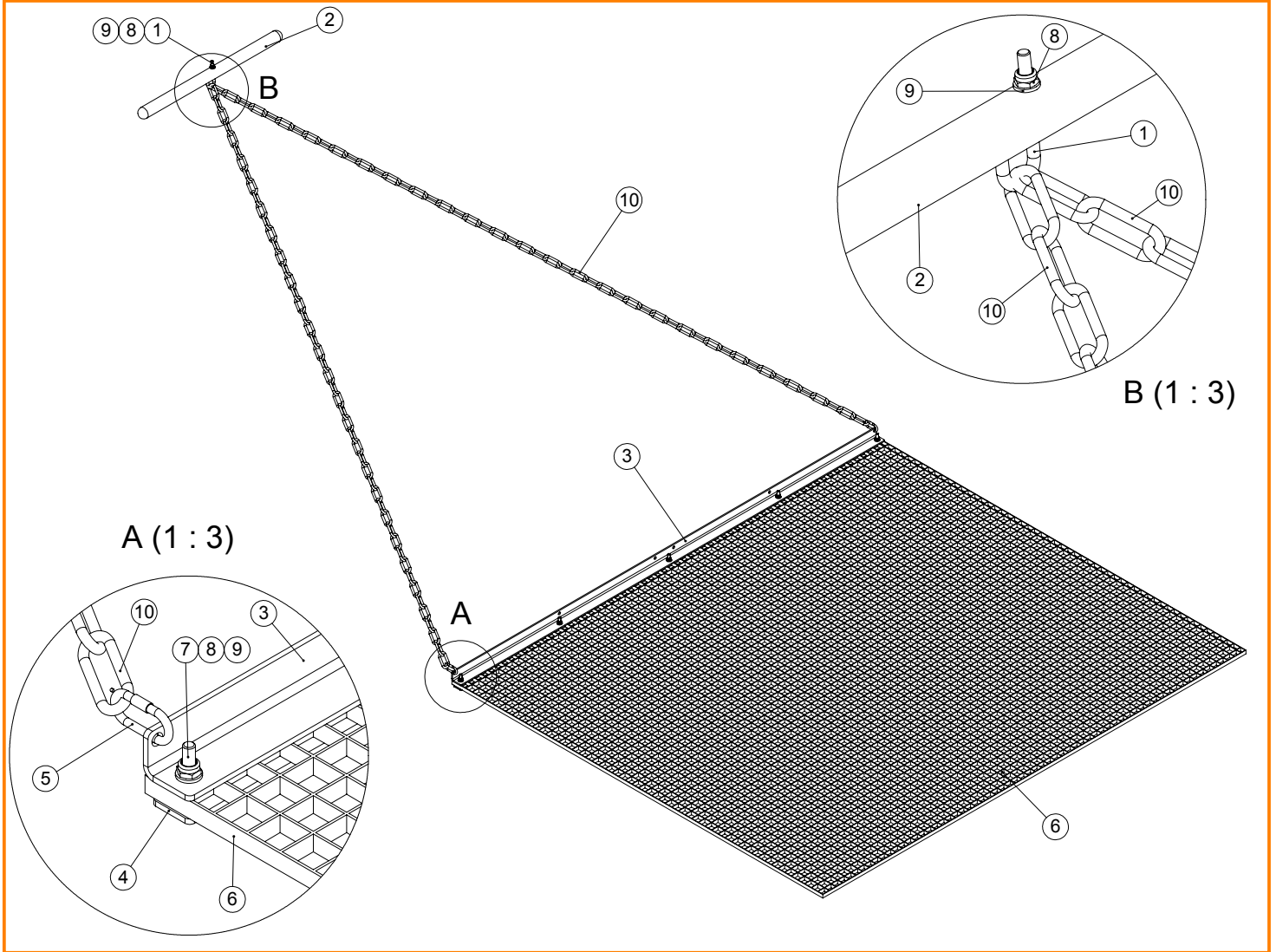
Take care if using a tractor:

- Watch out for children and other pedestrians. Always look behind before starting to reverse.

DRAGMATS - FS1036 (1360), FS1242 (1800), FS1037 (2700)

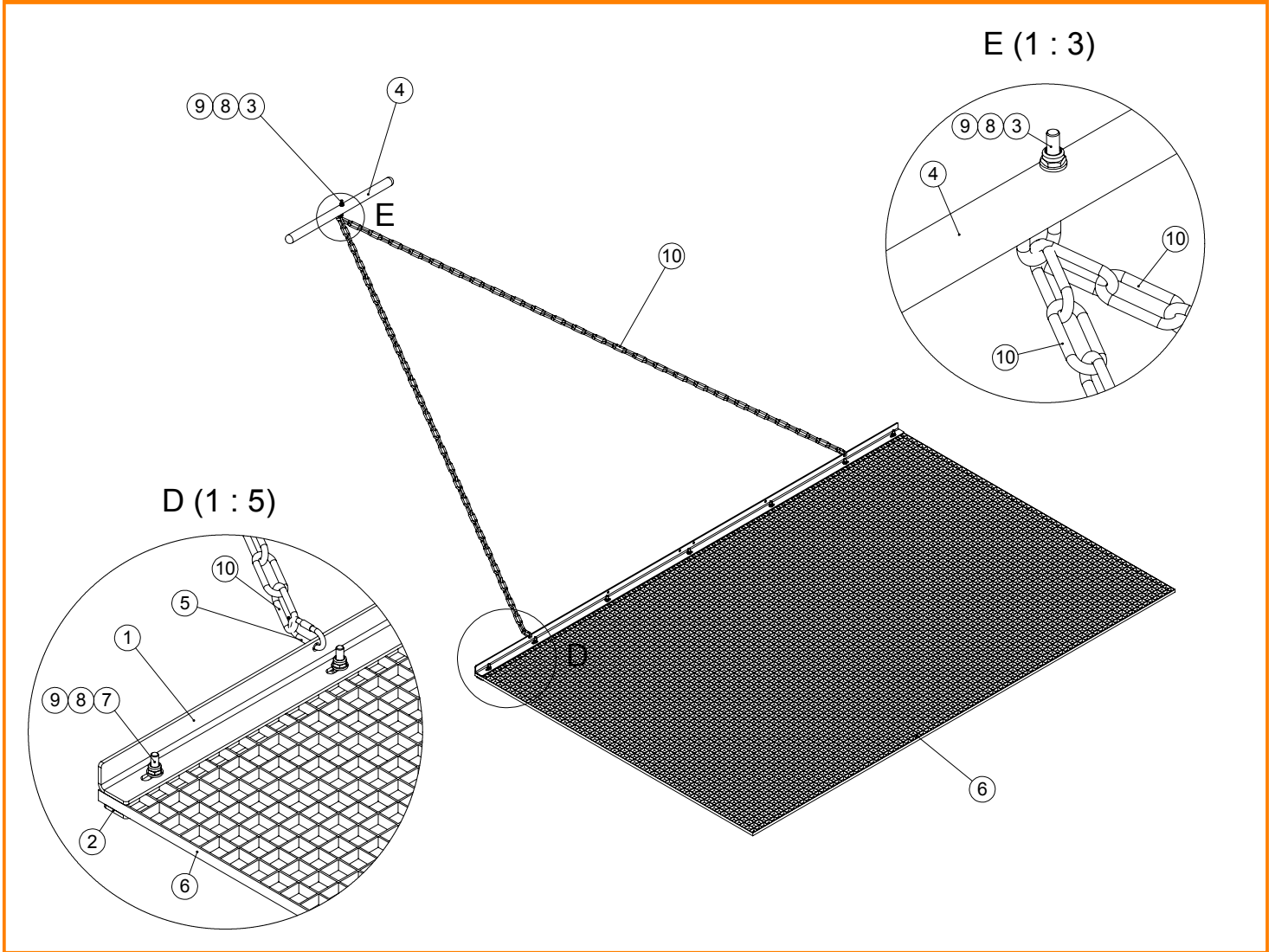


DRAGMAT 1036 - FS1036



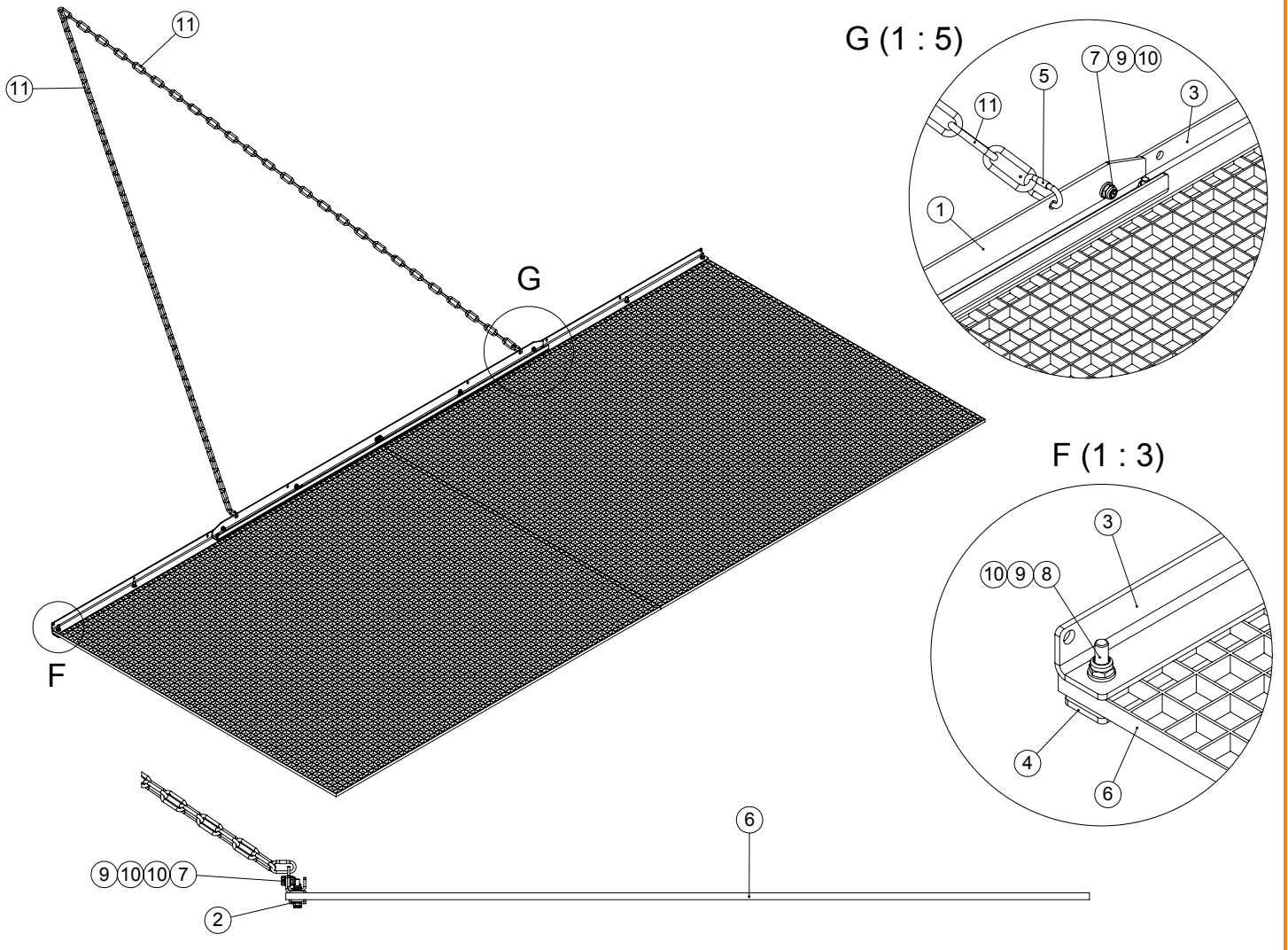
ITEM NO.	PART NUMBER	DESCRIPTION	QTY.
1	D1875_REV1	HOOK	1
2	D7065_REV1	WOODEN HANDLE	1
3	D7066_REV1	TOWING FRAME	1
4	D7067_REV1	CLAMP BAR	1
5	F20543_REV1	KWIK LINK	2
6	F21985_REV1	WIRE CONVEYOR BELT 1.35 X 1.2	1
7	SP01054_REV0	HEX SET SCREW M6 X 35	5
8	SP02004_REV0	NUT M6 NYLOC	6
9	SP03010_REV0	WASHER M6 FORM A	11
10	SP14010_REV0	GALVANISED CHAIN 1650LG	2

DRAGMAT 1800 - FS1242



ITEM NO.	PART NUMBER	DESCRIPTION	QTY.
1	401915_REV0	DRAG MAT FRAME 1800	1
2	401916_REV0	DRAG MAT CLAMP 1800	1
3	D1875_REV1	HOOK	1
4	D7065_REV1	WOODEN HANDLE	1
5	F20543_REV1	KWIK LINK	2
6	HU1083_REV1	WIRE CONVEYOR BELT 1.8 X 1.2	1
7	SP01054_REV0	HEX SET SCREW M6 X 35	7
8	SP02004_REV0	NUT M6 NYLOC	8
9	SP03010_REV0	WASHER M6 FORM A	15
10	SP14010_REV0	GALVANISED CHAIN 1650LG	2

DRAGMAT 2700 - FS1037



ITEM NO.	PART NUMBER	DESCRIPTION	QTY.
1	401685_REV0	SUPPORT UPPER DRAGMAT	1
2	401686_REV0	SUPPORT LOWER DRAGMAT	1
3	D7066_REV1	TOWING FRAME	2
4	D7067_REV1	CLAMP BAR	2
5	F20543_REV1	KWIK LINK	2
6	F21985_REV1	WIRE CONVEYOR BELT 1.35 X 1.2	2
7	SP01008_REV0	HEX SET SCREW M6 X 16	6
8	SP01054_REV0	HEX SET SCREW M6 X 35	10
9	SP02004_REV0	NUT M6 NYLOC	16
10	SP03010_REV0	WASHER M6 FORM A	32
11	SP14010_REV0	GALVANISED CHAIN 1650LG	2



sisis®

SISIS, Ashbourne Road, Kirk Langley, Derbyshire, DE6 4NJ, England

**Tel: +44 (0) 1332 824 777
Fax: +44 (0) 1332 824 525**

Email: info@sisis.com

www.sisis.com